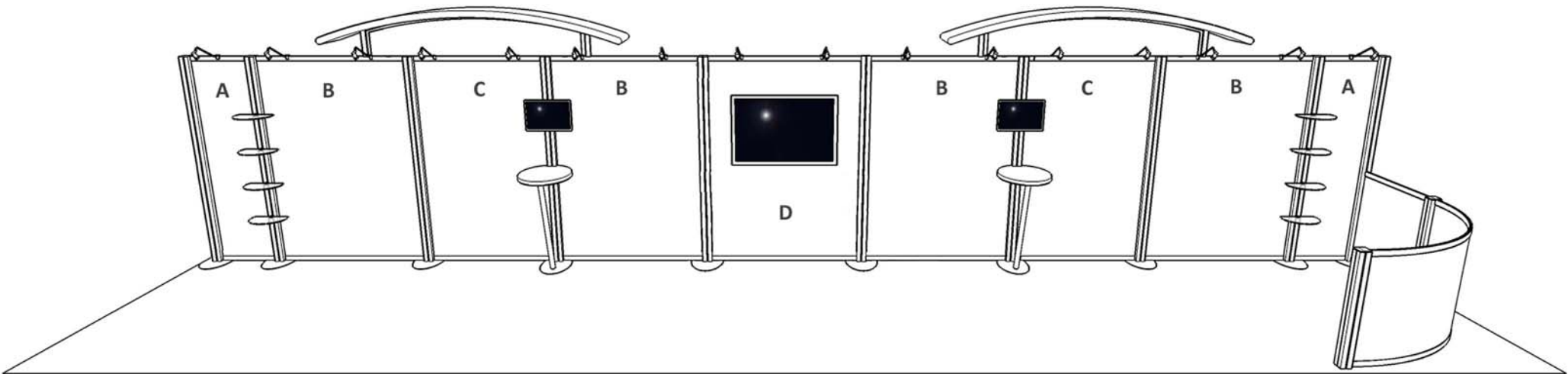
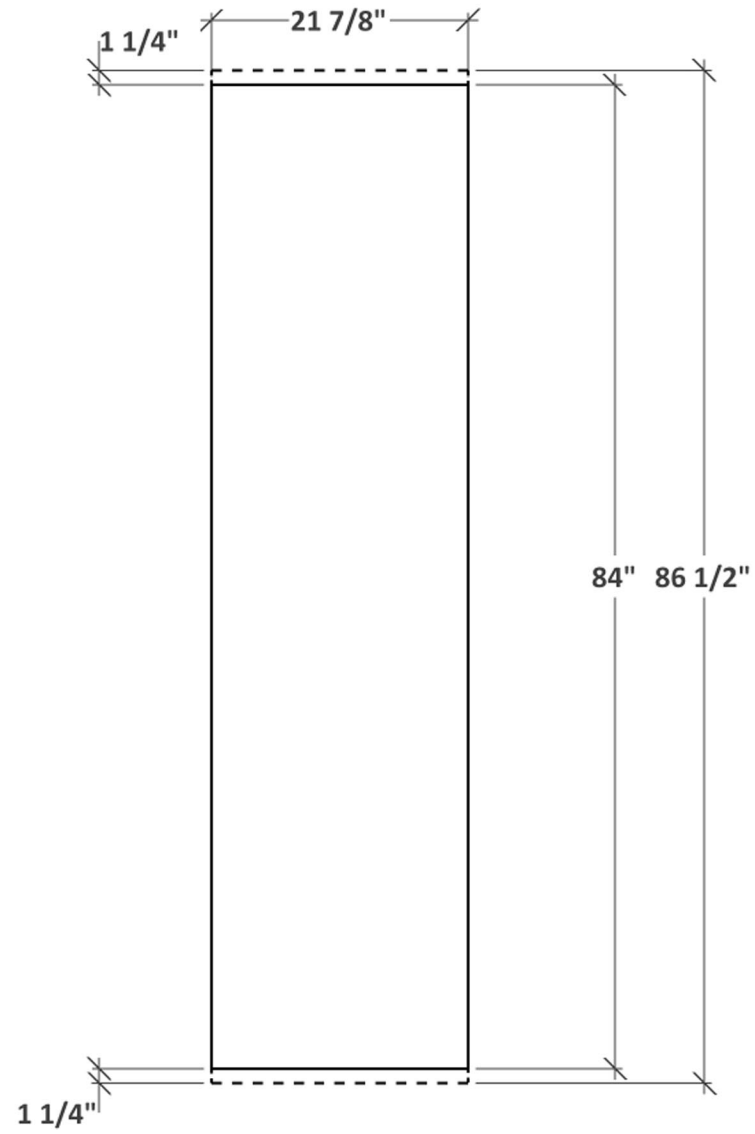


COUNTERS AND ACCESSORIES REMOVED FOR CLARITY



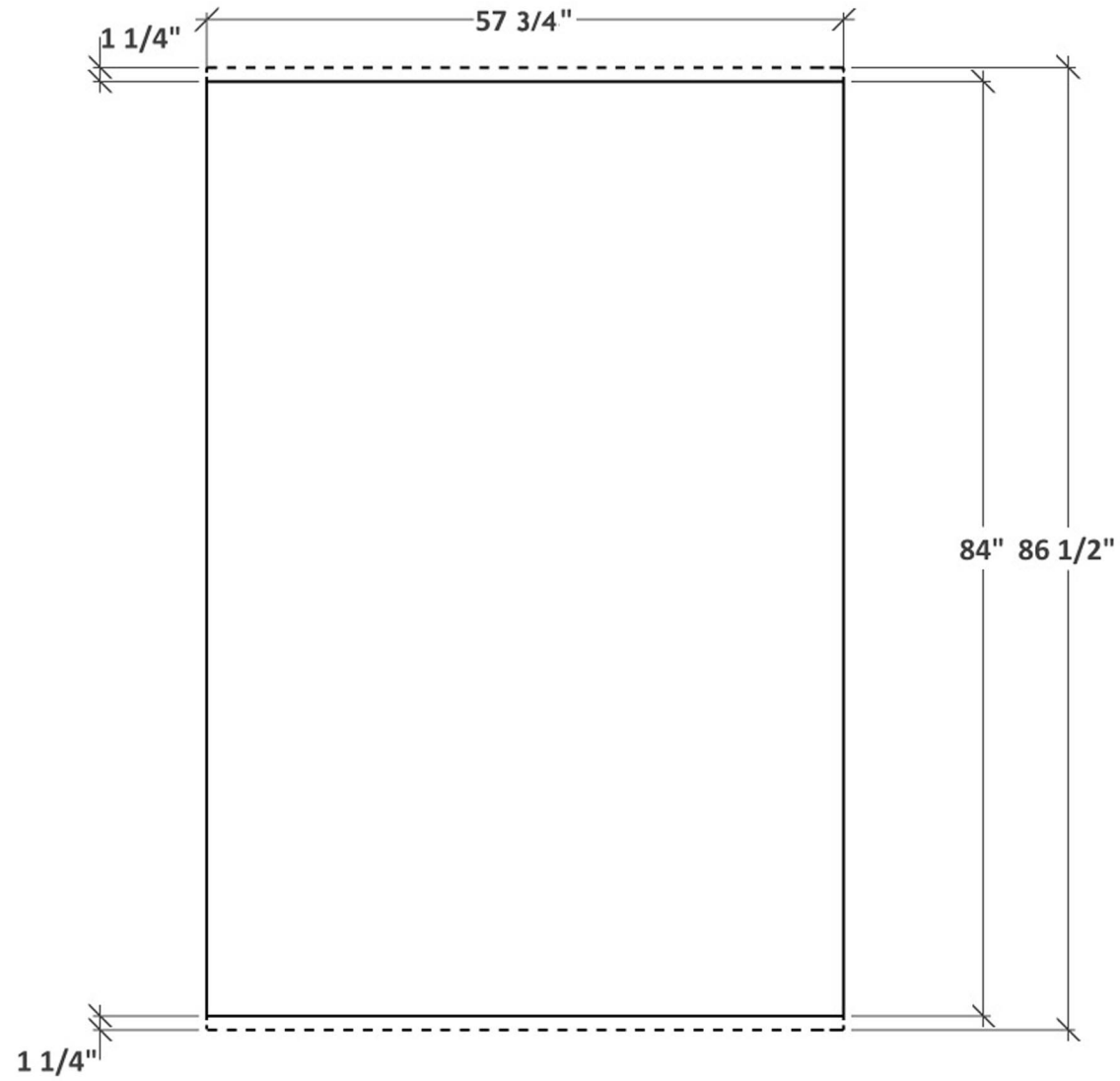
**\* FULL BLEED \***

(2 qty.)



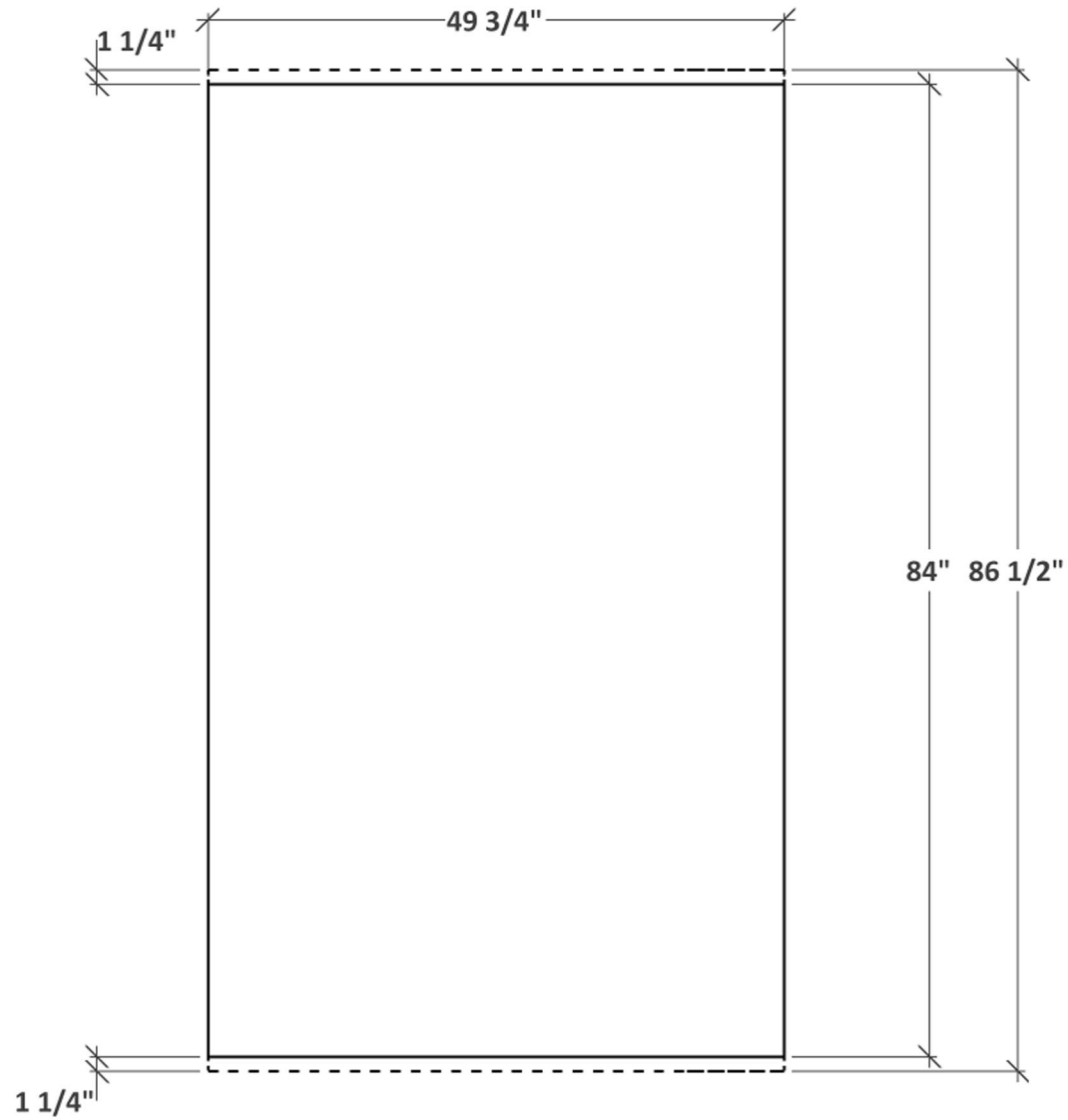
**\* FULL BLEED \***

(4 qty.)

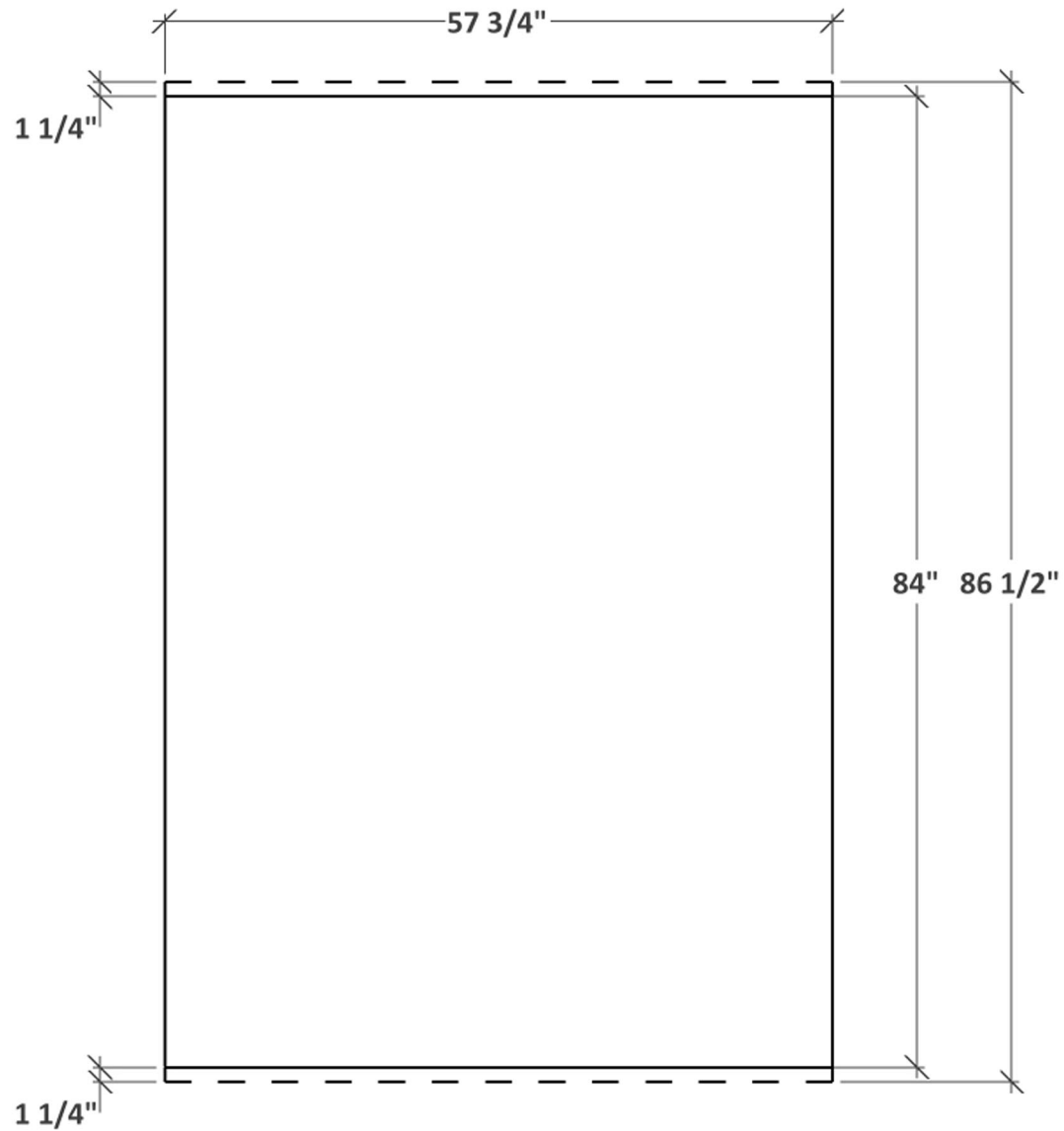


**\* FULL BLEED \***

(2 qty.)



**\* FULL BLEED \*  
(1 qty.)**



\* SINTRA \*  
(2 qty.)

