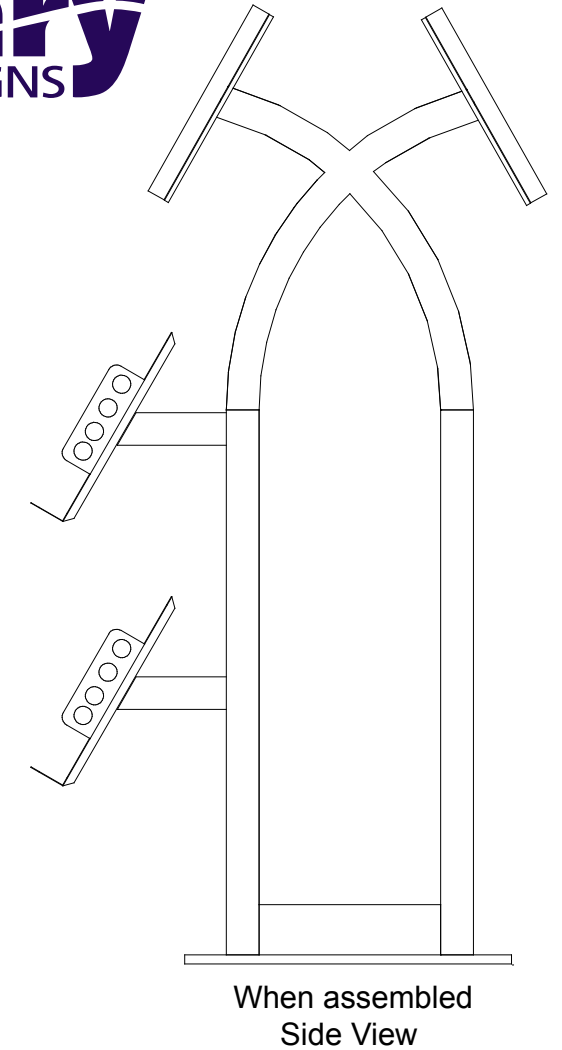
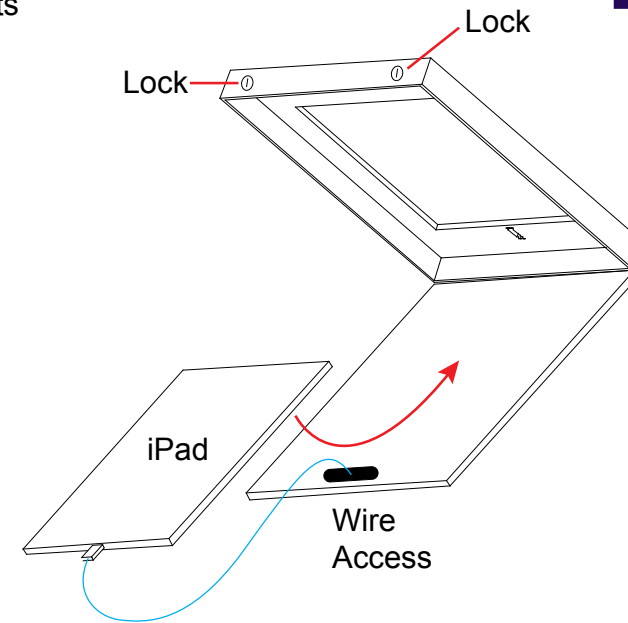
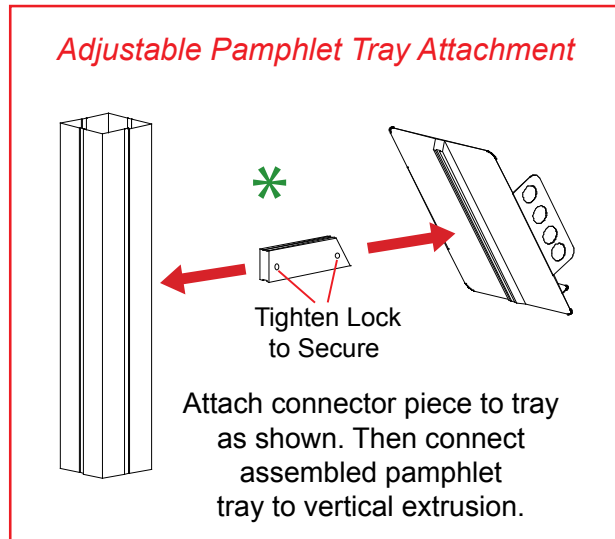


Steps:

- 1) Slide infill between stand verticals as shown.
- 2) Attach horizontal [2] between stand verticals.
- 3) Attach base [1] to stand verticals using bolts.
- 4) Attach square plates [3] to stand using bolt.
- 5) Attach clamshells [4] to square plates [3] using hex nuts.
- 6) Insert iPads and feed wires through hole.
- 7) Attach pamphlet trays to stand. Refer to detail.



Optional Cover for Home Button

- 1) Remove foam lining from inside bottom of clamshell as shown.
- 2) Attach Home Button Shield with double-sided tape to inside of clamshell, keeping top of shield flush with clamshell opening as shown.

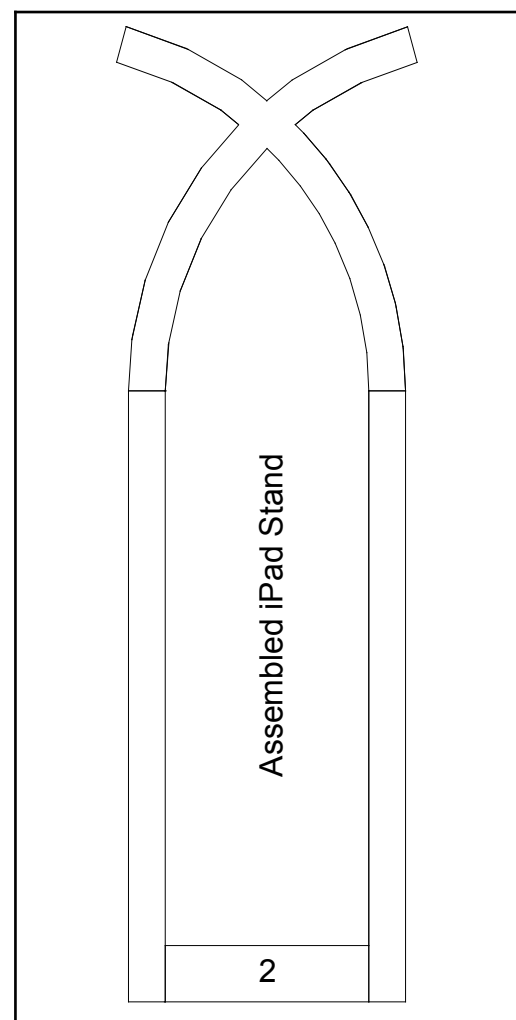
NOTE: This is a permanent fix and can't be easily removed.

- Tools Required:
- 1) Hex Tool
 - 2) Pliers

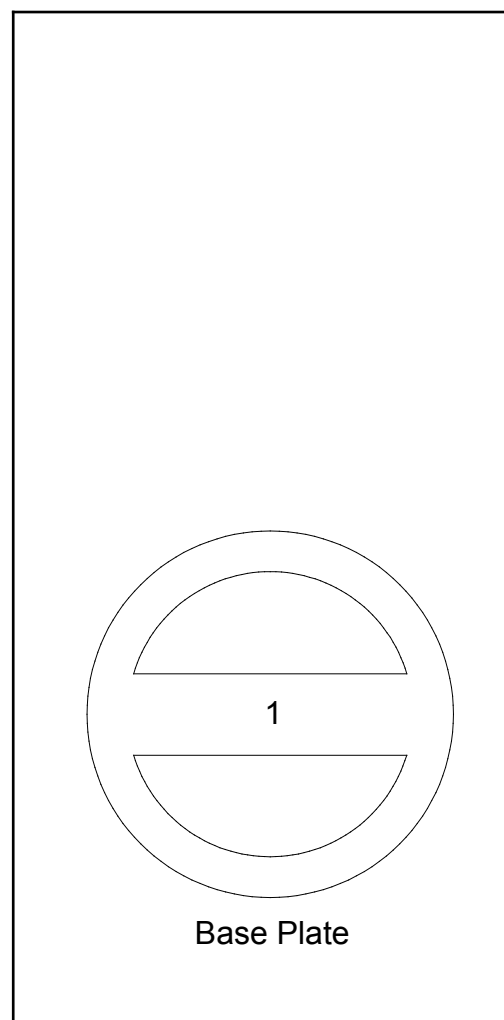


WHEN DISASSEMBLING, TIGHTEN ALL SCREWS AND NUTS TO PREVENT LOSS DURING SHIPPING.

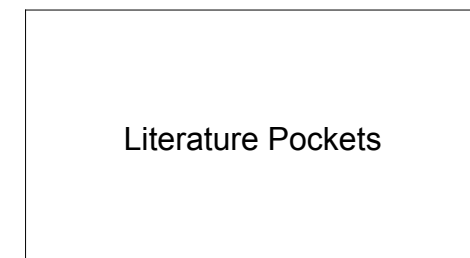
Top View of Each Level



Level 1



Level 2



WHEN DISASSEMBLING, TIGHTEN ALL SCREWS AND NUTS TO PREVENT LOSS DURING SHIPPING.