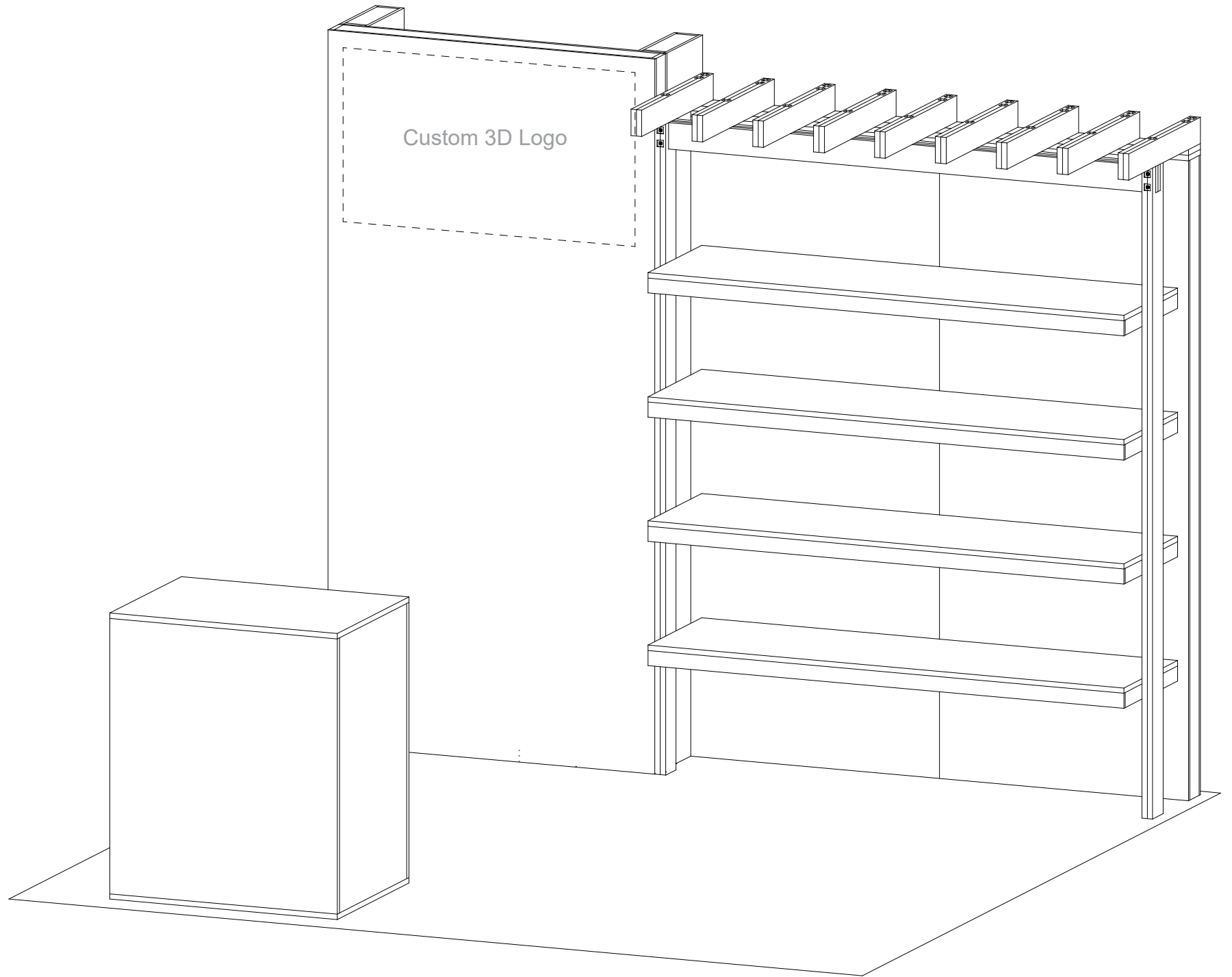


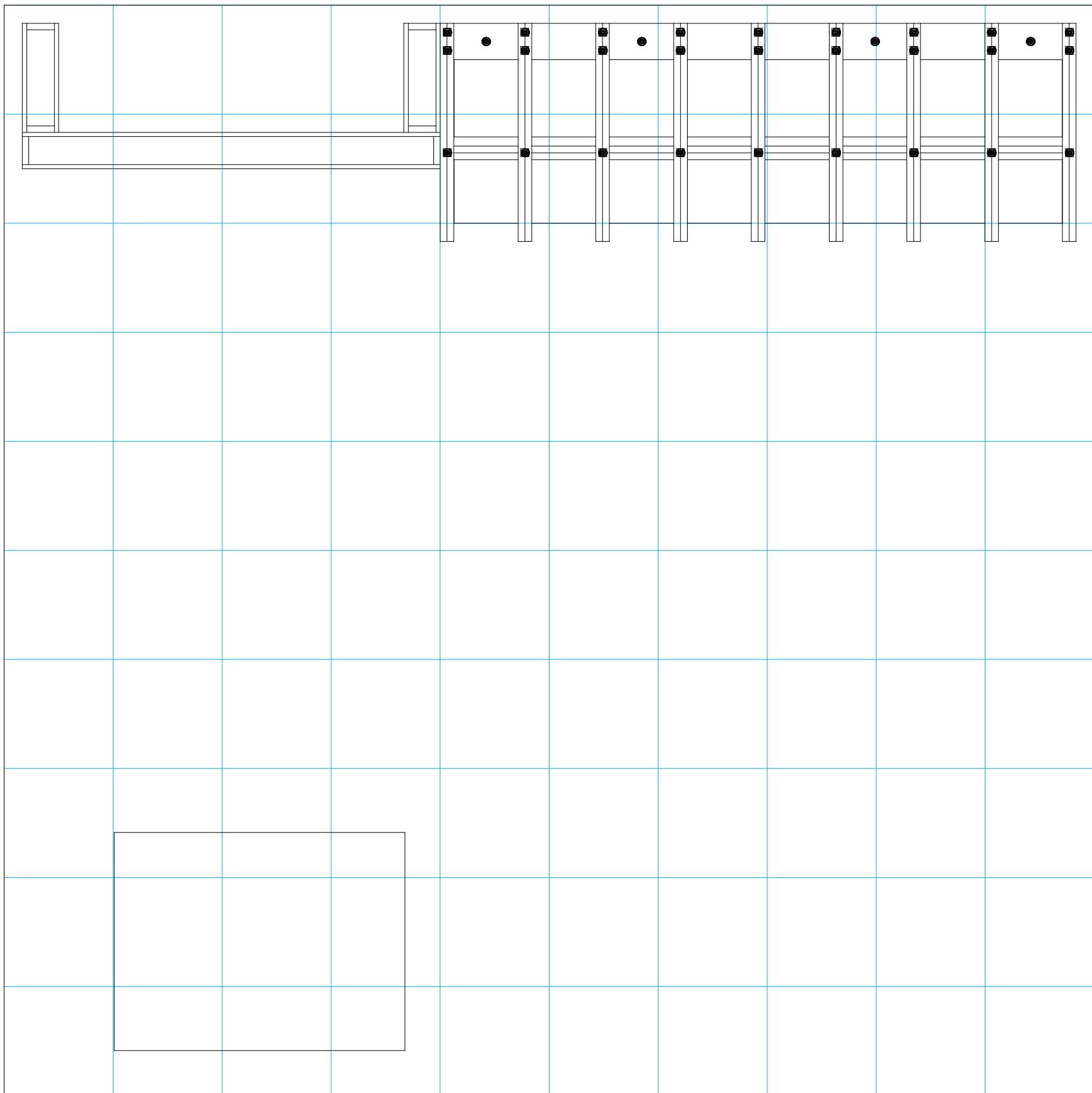
Plan View

10'

10'



SETUP INSTRUCTIONS



= 1 sq foot

General Setup Instructions

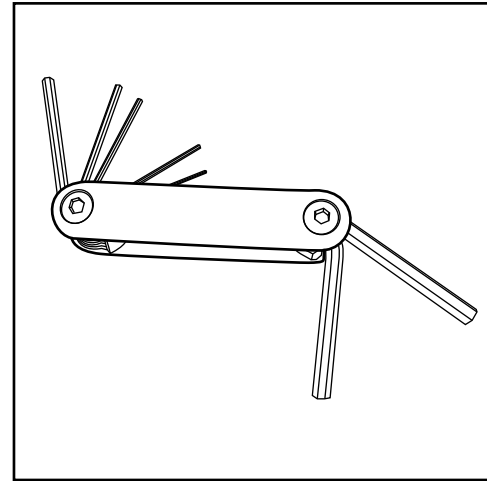
- Read entire setup instruction manual prior to unpacking parts and pieces.
- The setup instructions are created specifically for this configuration.
- Setup instructions are laid out sequentially in steps, including exploded views with detailed explanation for assembly.

Cleaning & Packing

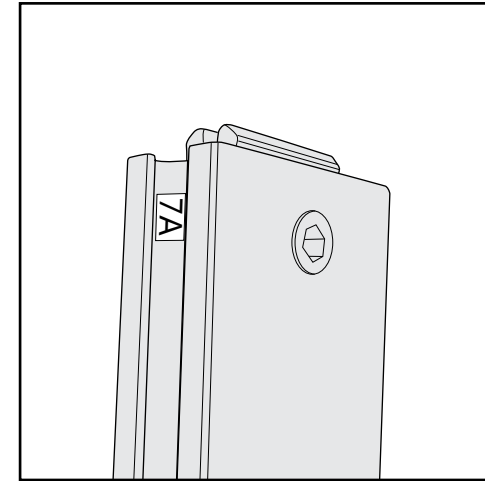
- For Cleaning Metal, Plex, & Laminate Parts: Use a **MILD NON-ABRASIVE** cleanser and soft cloth/paper towel to clean all surfaces.
- Keep exhibit components away from heat and prolonged sun exposure. **Heat and UV exposure will warp and fade components.**
- Retain all provided Packing Materials. All provided packing materials are for ease of repacking & component protection.

Disassembly

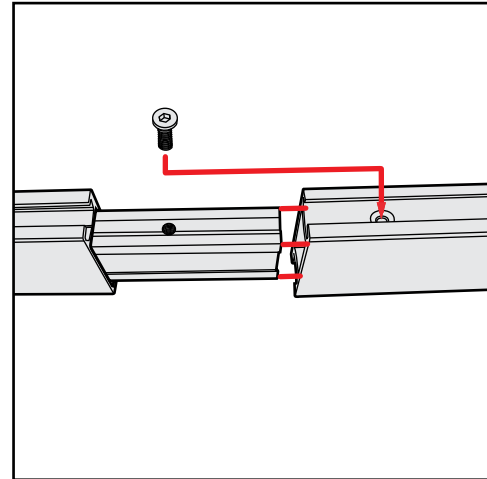
- For loss prevention, tighten all set screws and locks during disassembly.



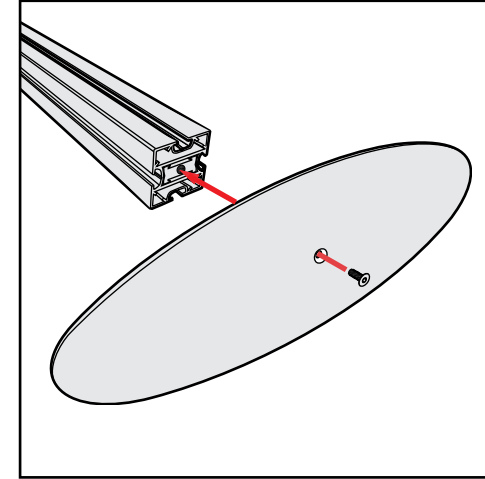
Hex Tool - Essential for Assembly



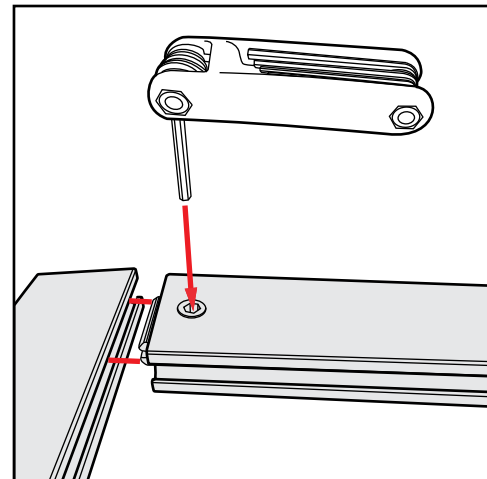
Part Identification - Numbering



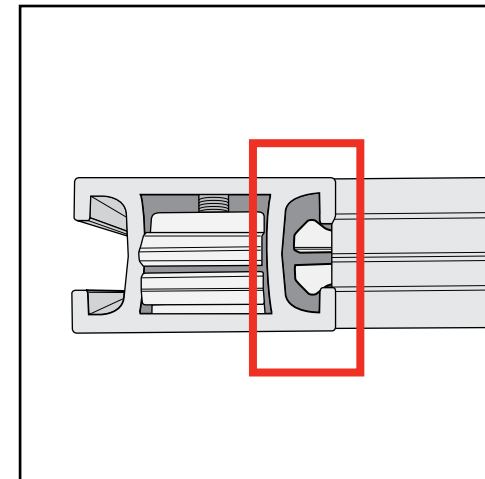
Spline Connection



Base Plate & Extrusion Connection



Extrusion & Lock Connection



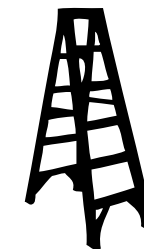
Engaged Lock



WARNING



DO NOT USE POWER TOOLS



LADDERS OR LIFTS
MAY BE REQUIRED

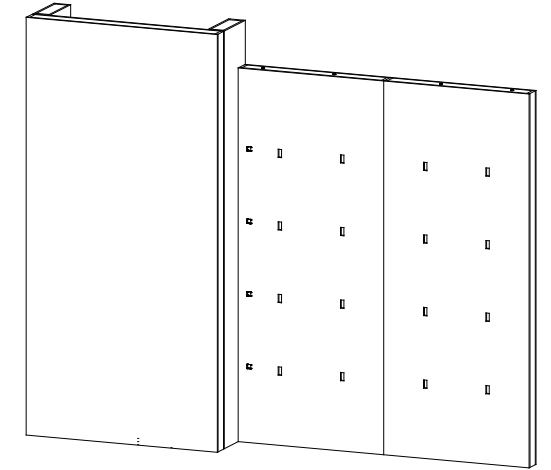


ALL CONNECTIONS MUST
BE TIGHTLY SECURED

CRATE PACKING

Item	Qty.	Description
A	1	12"w x 95"h x 4"d Return Wall Panel
B	1	46"w x 95"h x 4"d Wall Panel w/ dimensional logo
C	1	12"w x 95"h x 4"d Return Wall Panel
D	1	35"w x 85"h x 4"d Backwall Panel
E	1	35"w x 85"h x 4"d Backwall Panel

Steps:
1) Assemble wall panels [A] through [E] together as shown, using roto cam locks. See **Roto Cam Lock Connection** detail.



When assembled

*** Roto Cam Lock Connection**

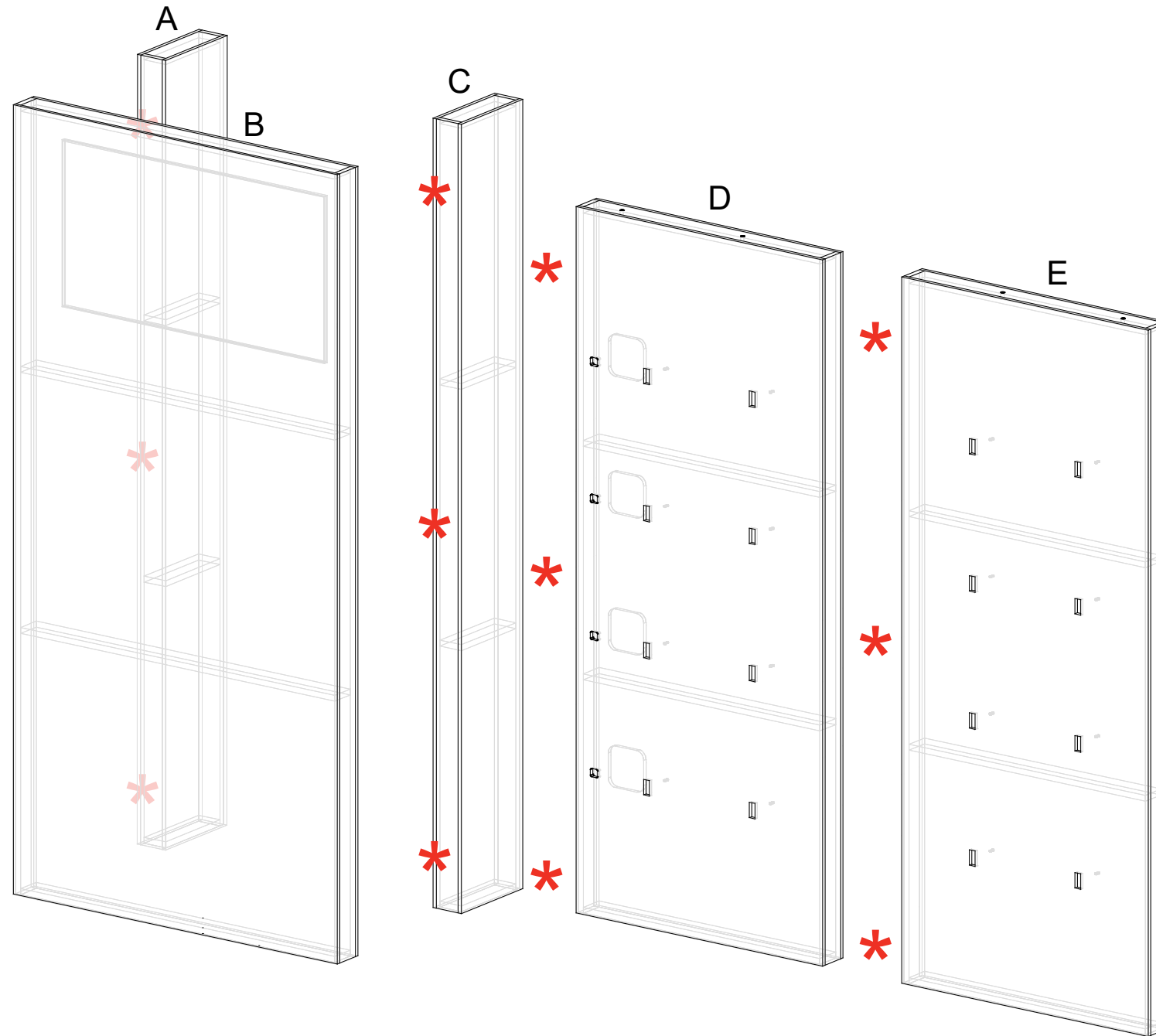
Step 1

Hex Key Tool
Hole

Step 2

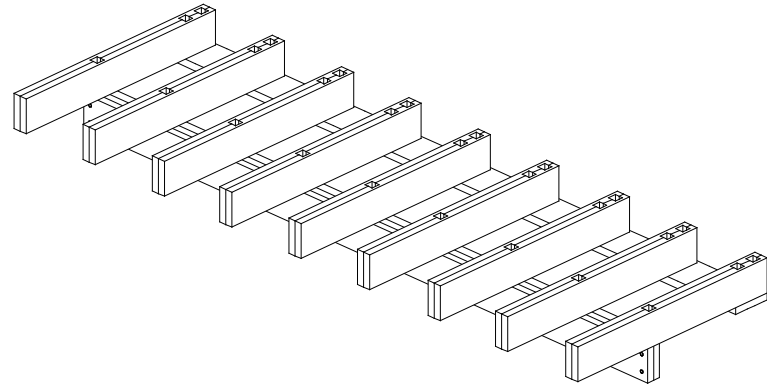
Hex Key Tool
Lock

Place hex tool in hole on side of panel. Rotate to activate lock & secure panels together.



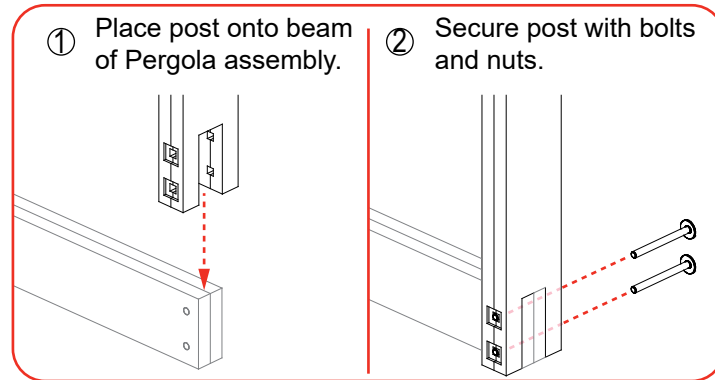
Item	Qty.	Description
--	1	Pergola Ceiling Assembly
F	1	2.5"w x 86.5"h Post
G	1	2.5"w x 86.5"h Post

Steps:
1) Attach Posts [F] & [G] to underside of Pergola Ceiling Assembly using bolts as shown.

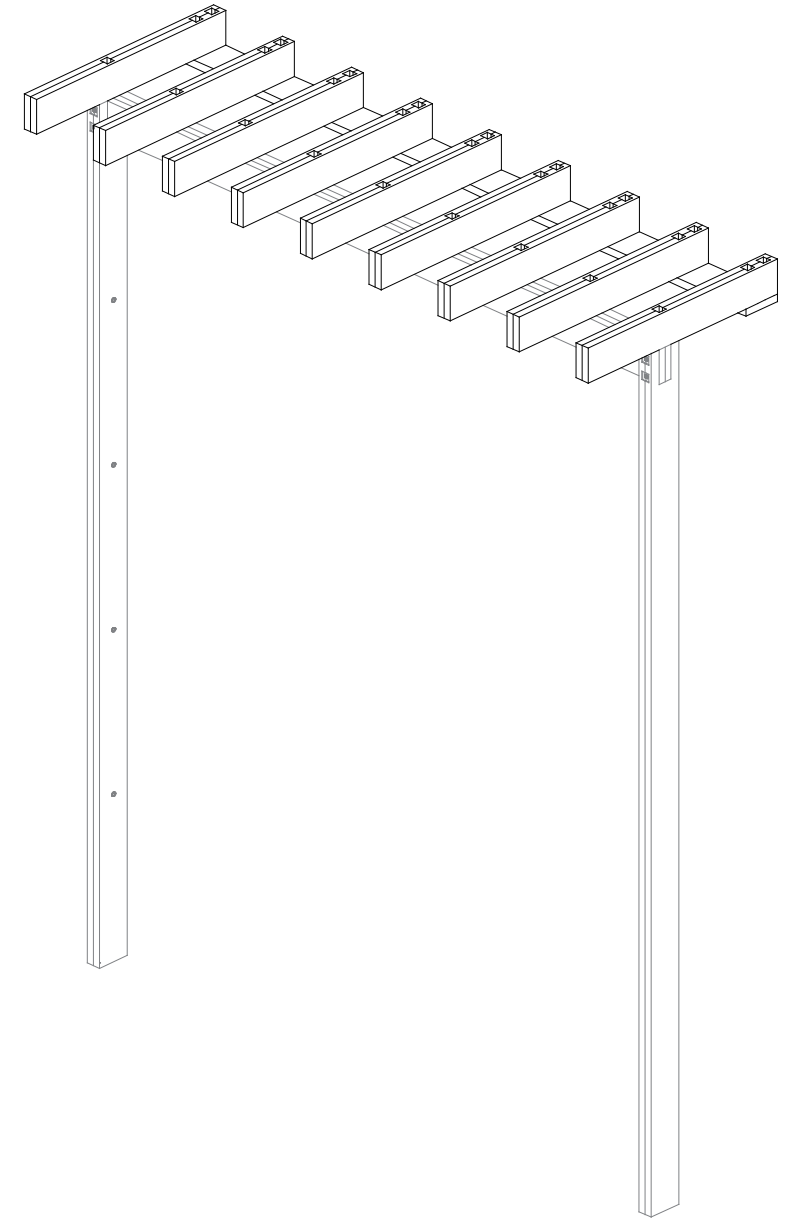
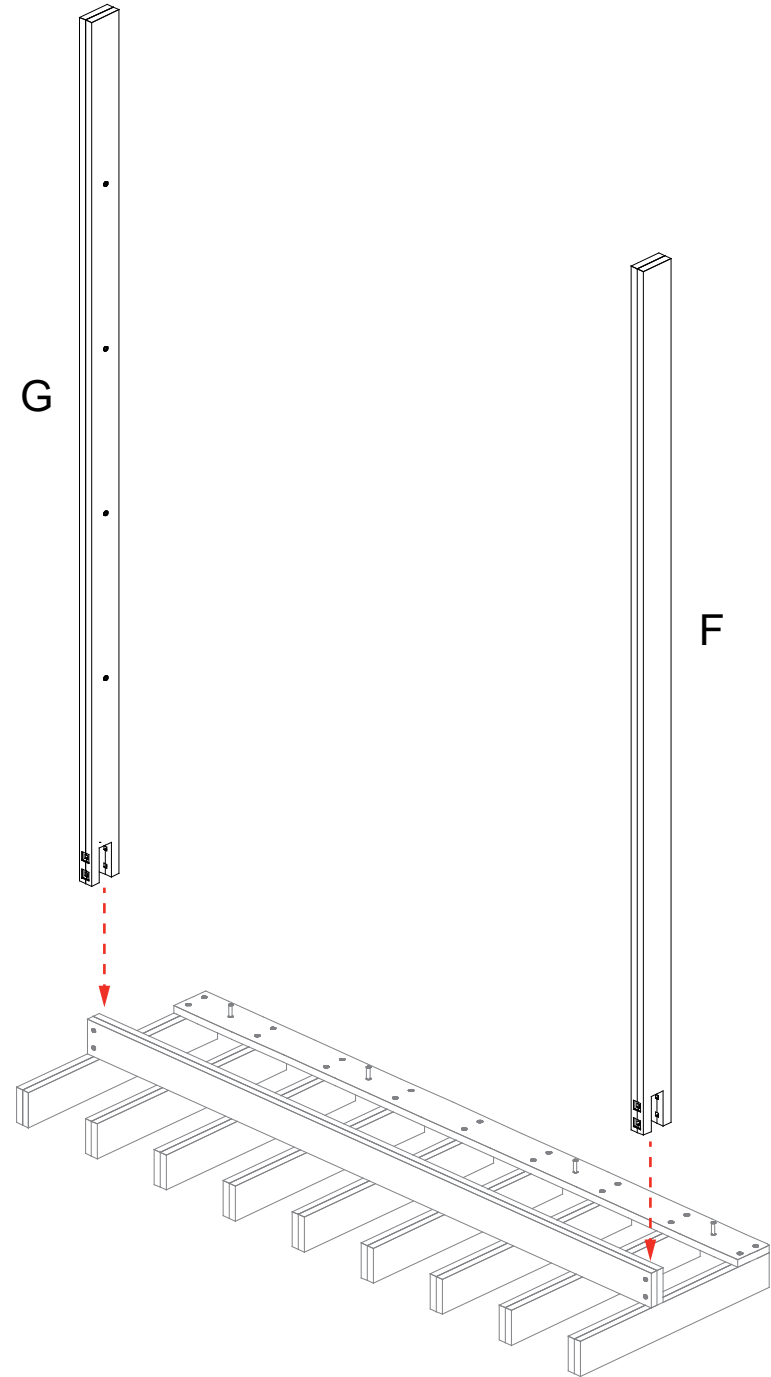


Pergola Ceiling Assembly
(KEEP ASSEMBLED)

Place Pergola Ceiling on floor, upside down.
Attach Posts, then flip assembly to upright position.

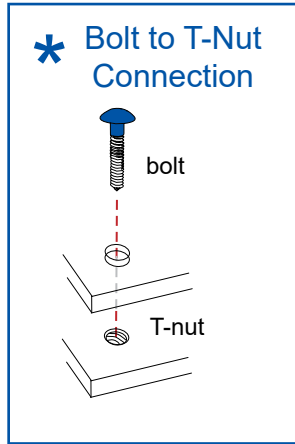


(2) bolts per vertical:
5/16" x 2"

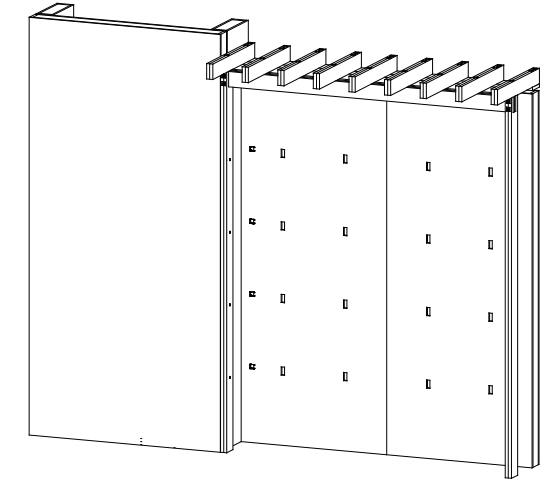
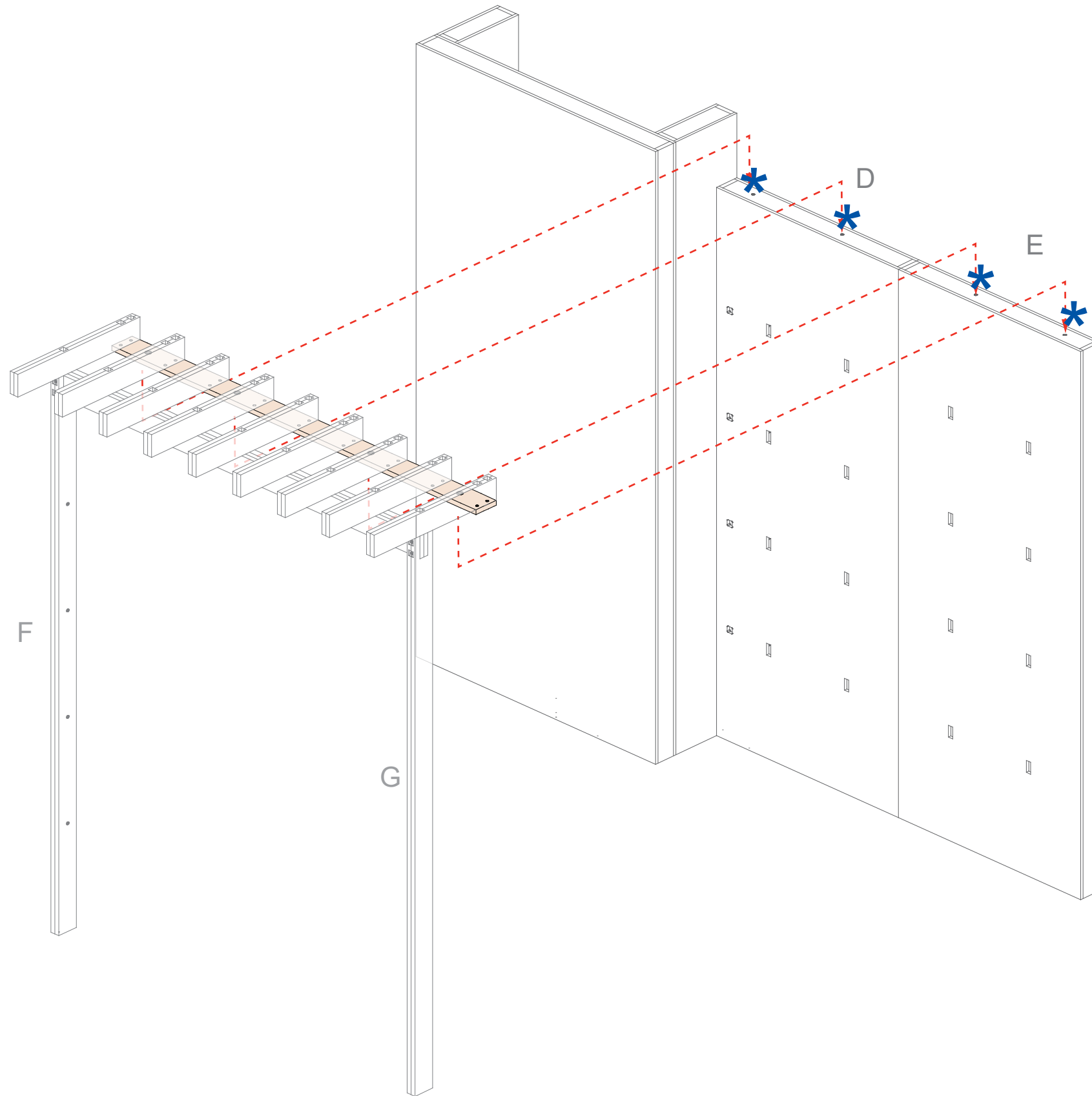


When assembled

Steps:
1) Attach Pergola to top of backwall panels [D/E]
using Bolt to T-Nut Connection.



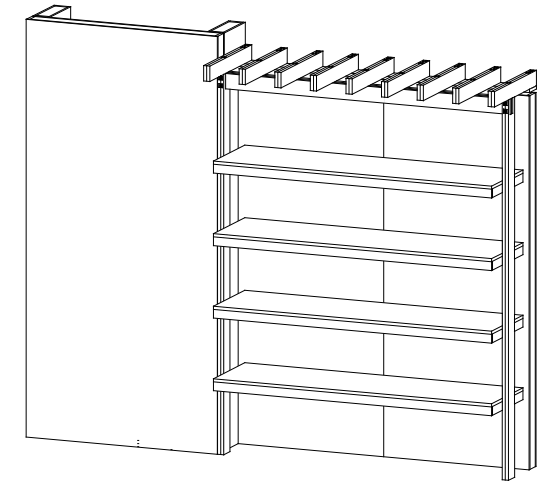
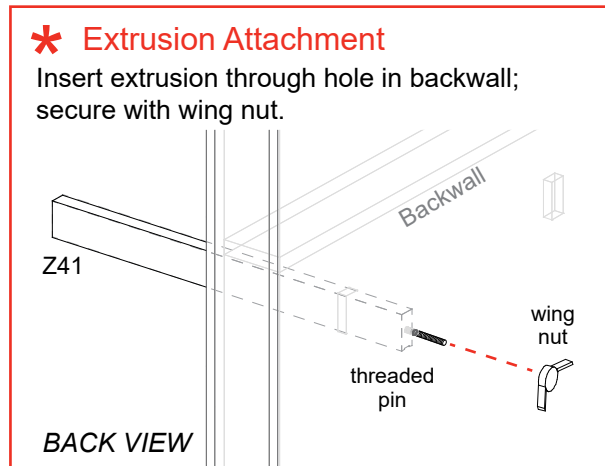
(4) bolts:
5/16" x 3"



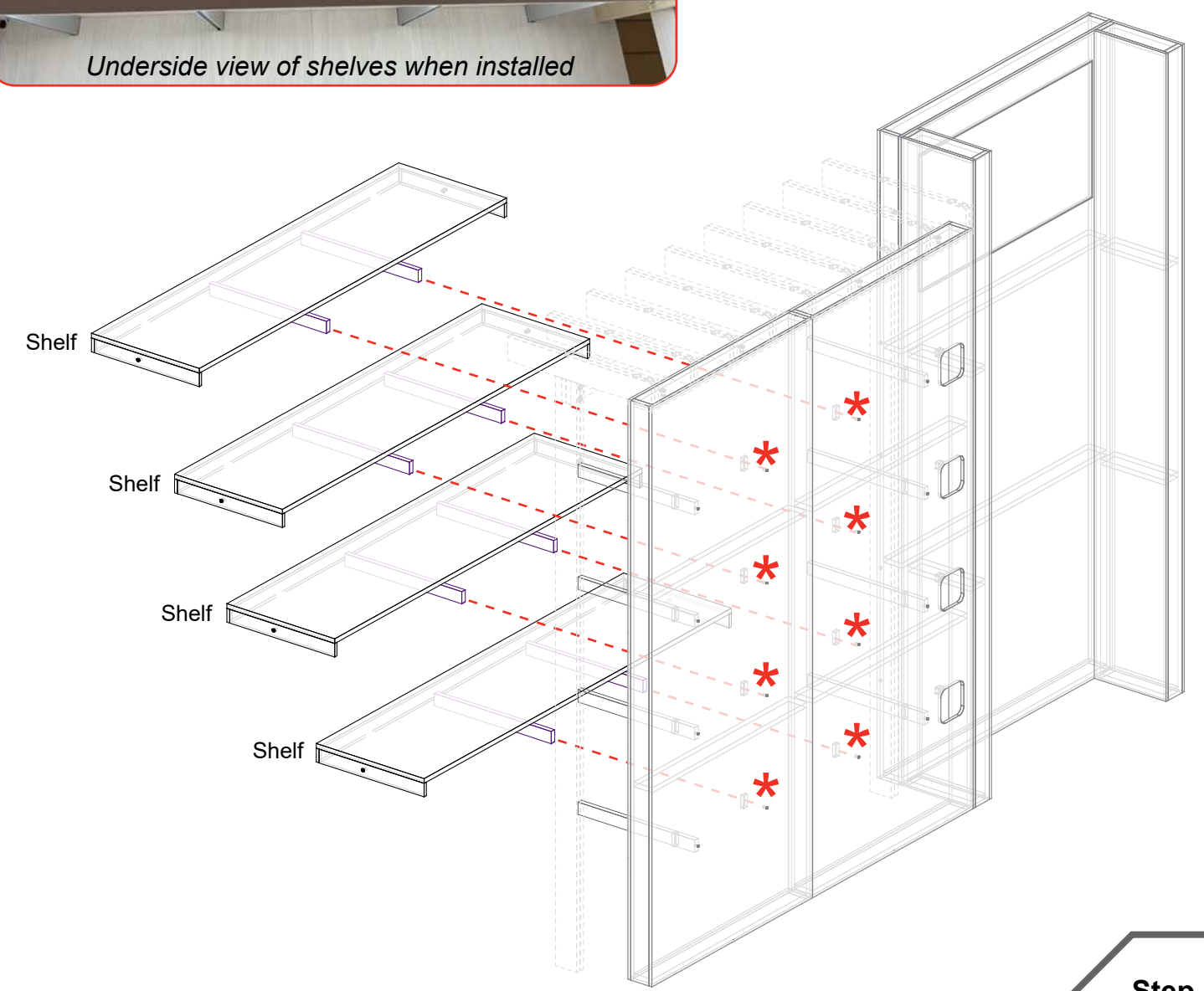
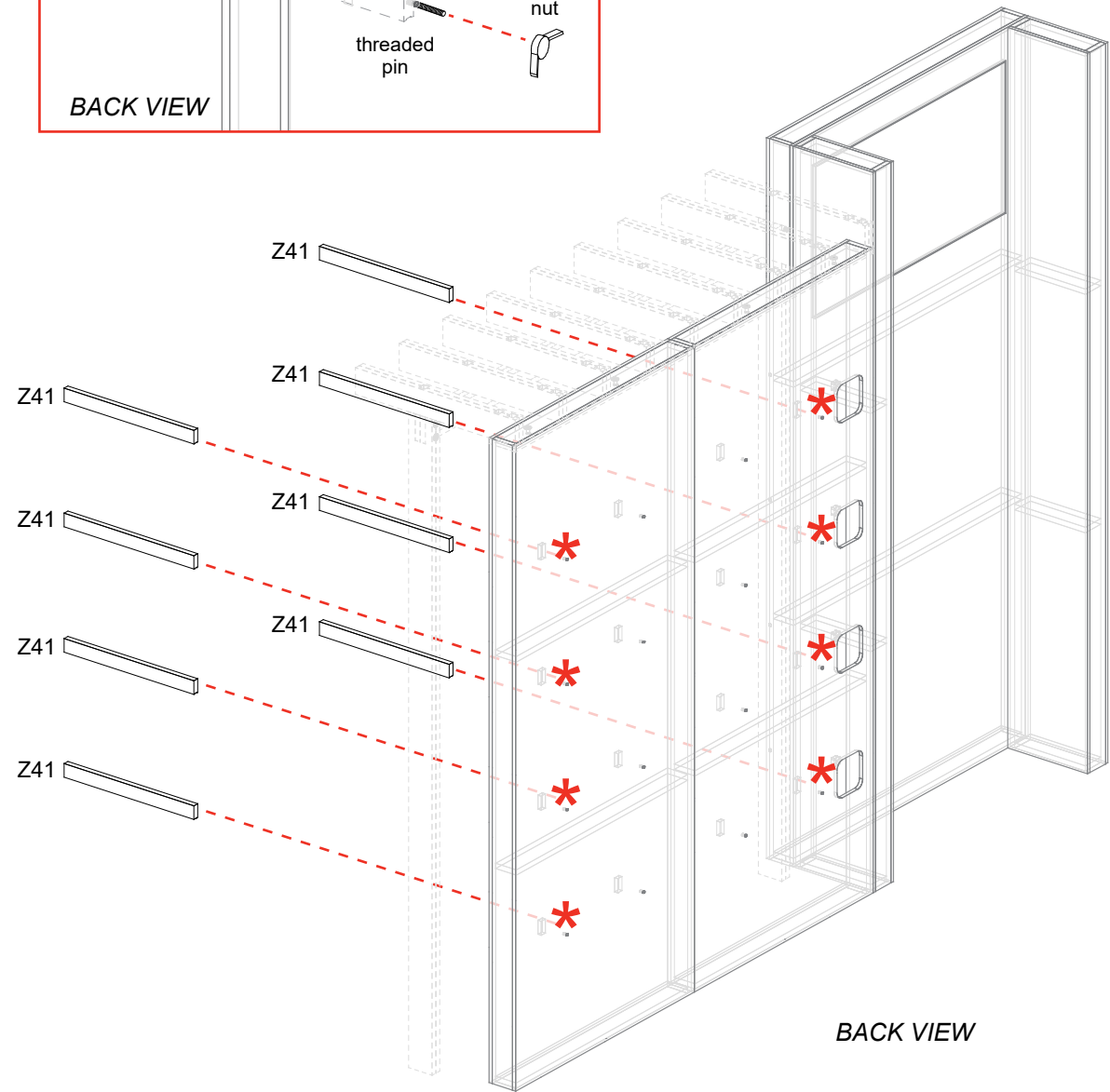
When assembled

Item	Qty.	Description
--	4	66.938" w x 18" d Shelf w/ Z41
--	8	19.5" w Z41 Horizontal Extrusion

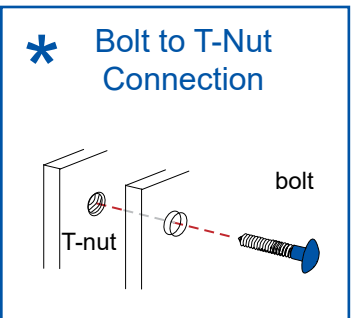
- Steps:
- 1) Insert outer extrusions through holes in backwall panels; secure with wing nuts on back side. See **Extrusion Attachment** detail.
 - 2) Slide extrusions on underside of shelves into backwall, resting shelves on outer extrusions. Secure with wing nuts. See **Extrusion Attachment** detail.



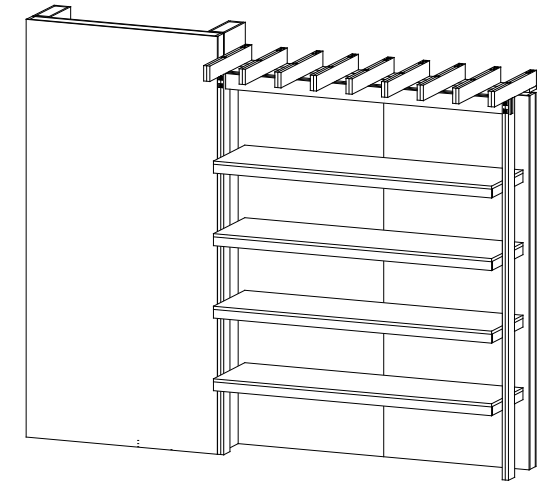
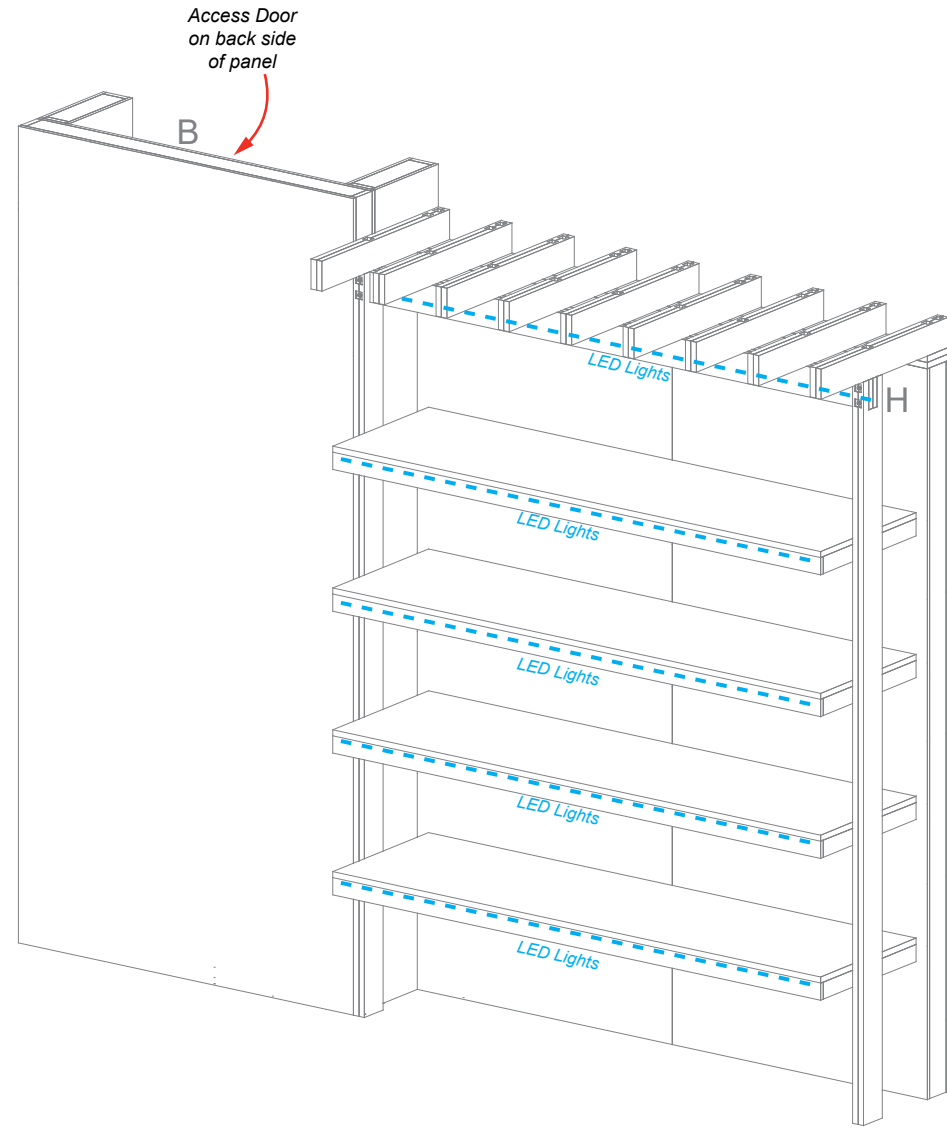
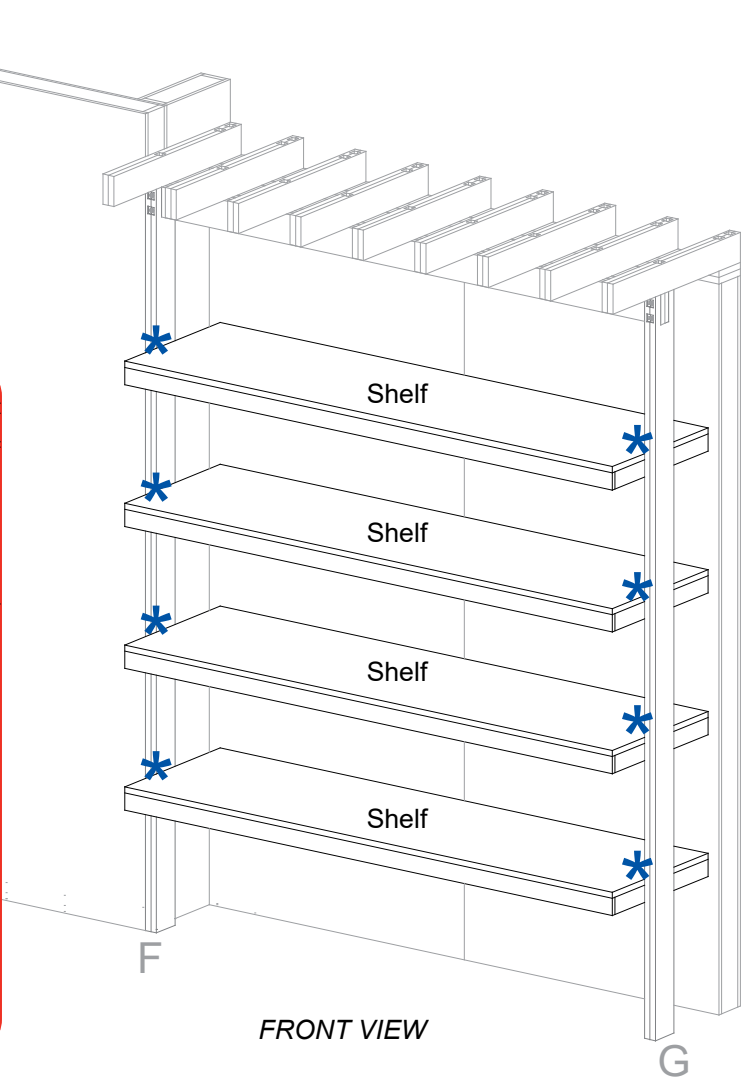
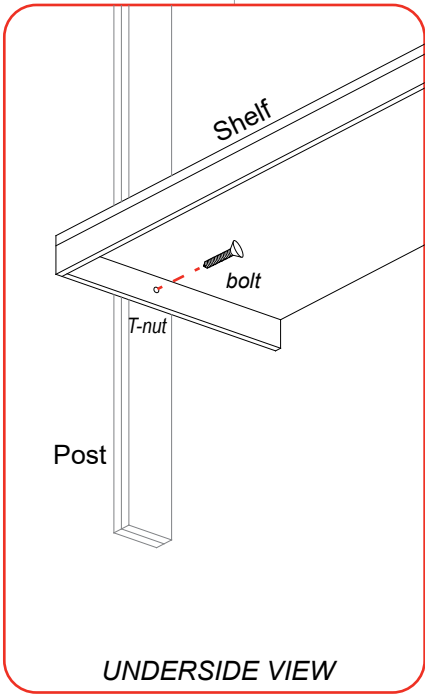
When assembled



- Steps:
- 1) Secure sides of shelves to posts [F,G] using Bolt to T-Nut Connection.
 - 2) Connect power cords to LED Lights behind logo, under shelves & under pergola ceiling.



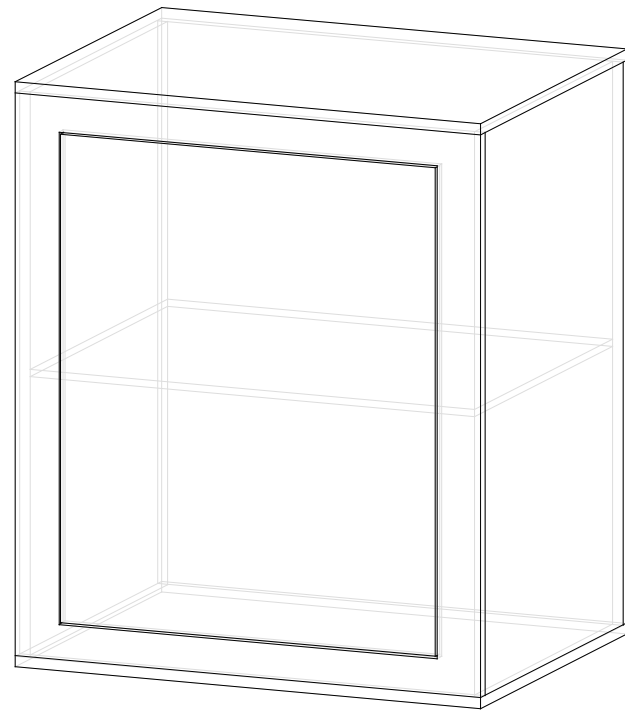
(2) bolts per Shelf:
5/16" x 1.5"



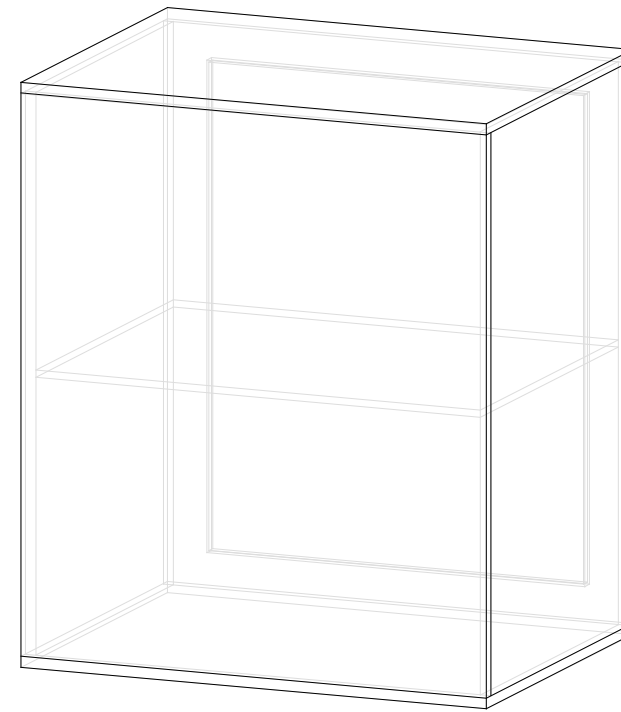
Completed Assembly



Steps:
No assembly is required.



BACK VIEW



FRONT VIEW