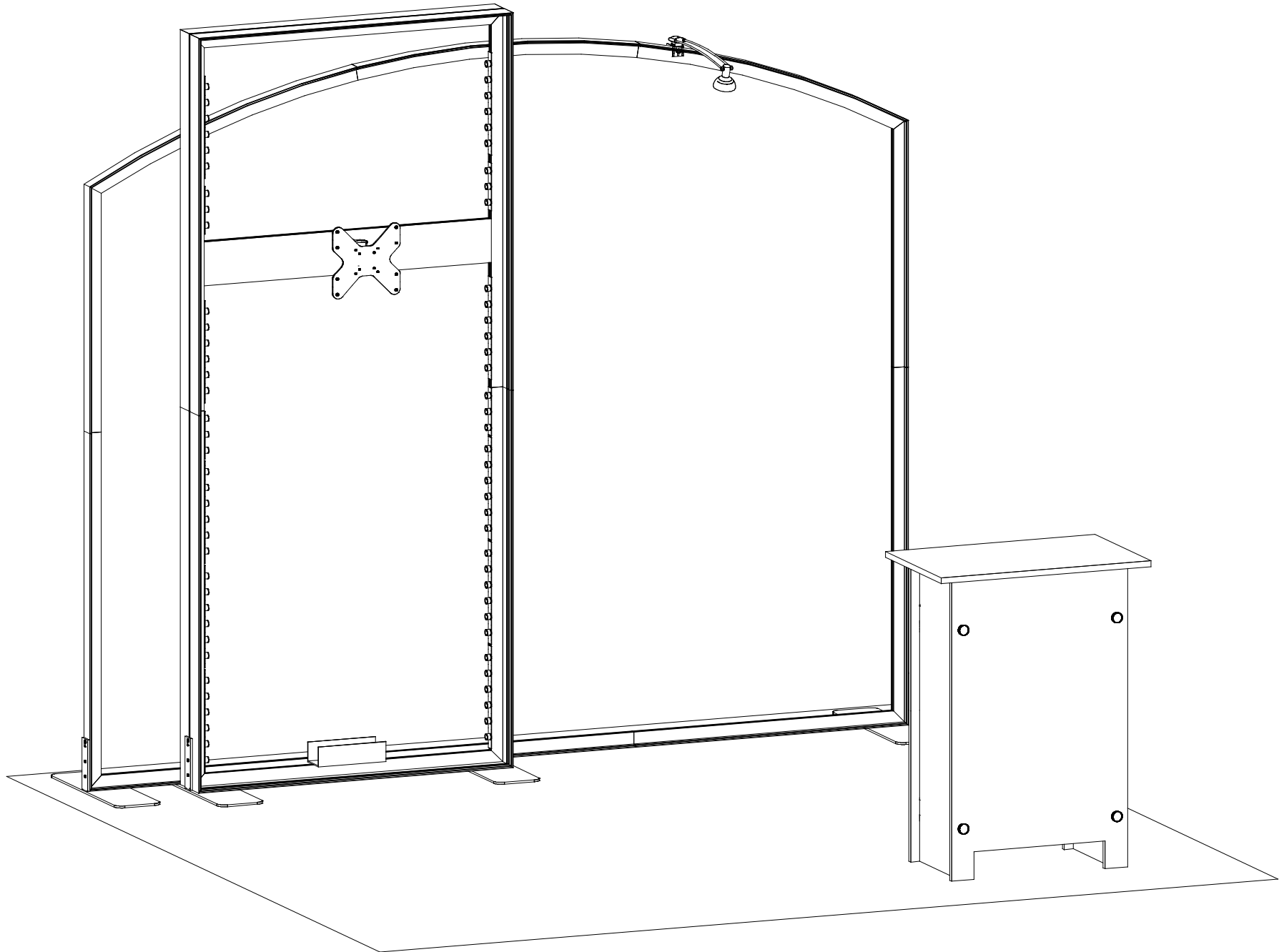


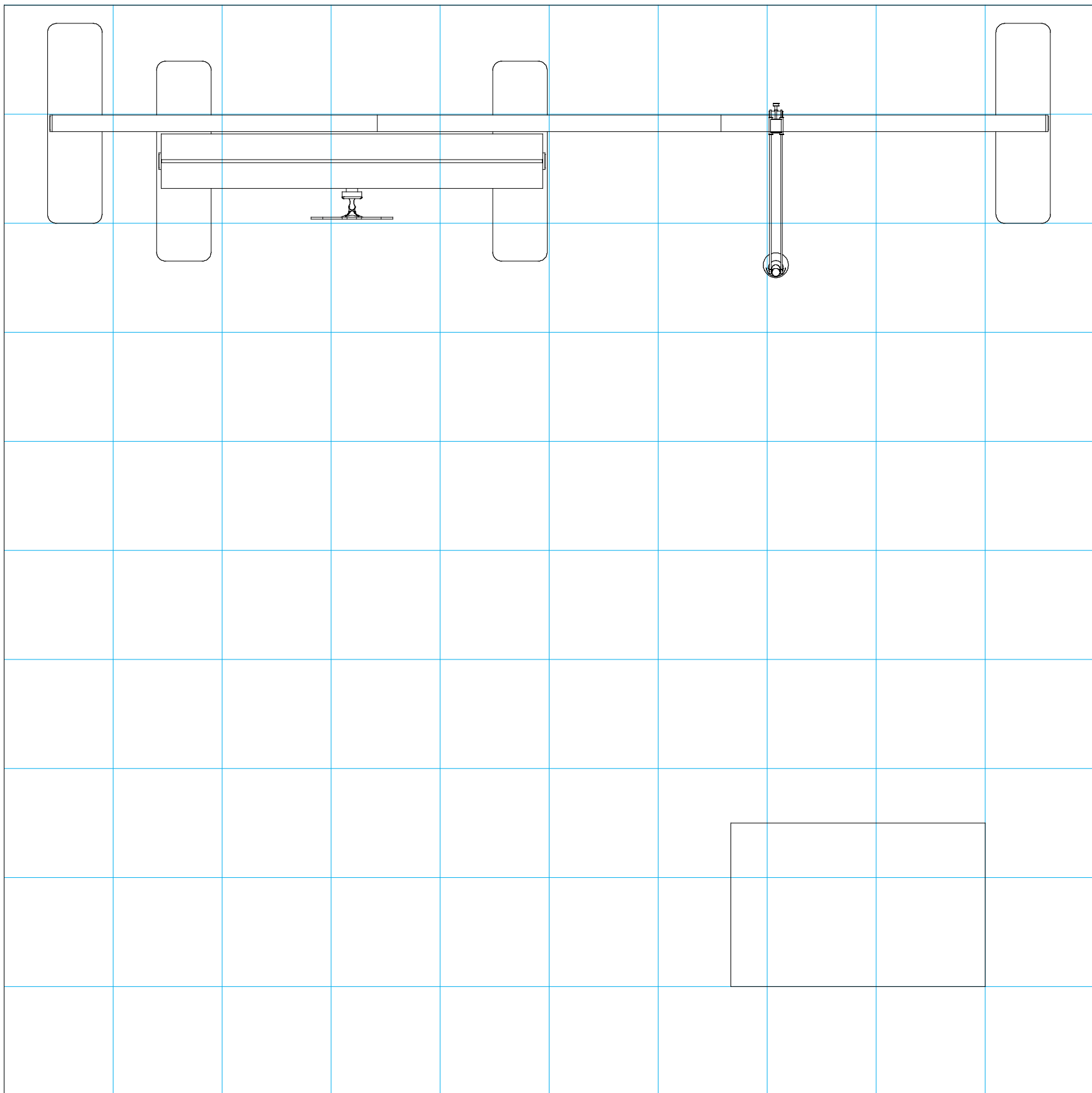
Plan View

10'

10'



SETUP INSTRUCTIONS



= 1 sq foot

General Setup Instructions

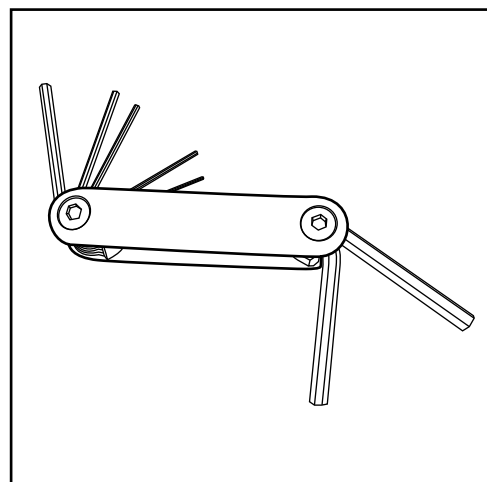
- Read entire setup instruction manual prior to unpacking parts and pieces.
- The setup instructions are created specifically for this configuration.
- Setup instructions are laid out sequentially in steps, including exploded views with detailed explanation for assembly.

Cleaning & Packing

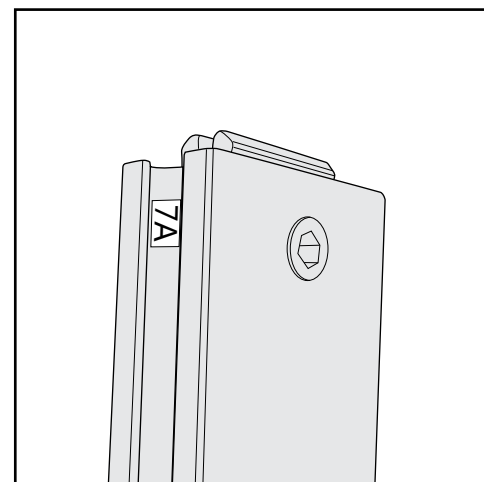
- For Cleaning Metal, Plex, & Laminate Parts: Use a **MILD NON-ABRASIVE** cleanser and soft cloth/paper towel to clean all surfaces.
- Keep exhibit components away from heat and prolonged sun exposure.
Heat and UV exposure will warp and fade components.
- Retain all provided Packing Materials. All provided packing materials are for ease of repacking & component protection.

Disassembly

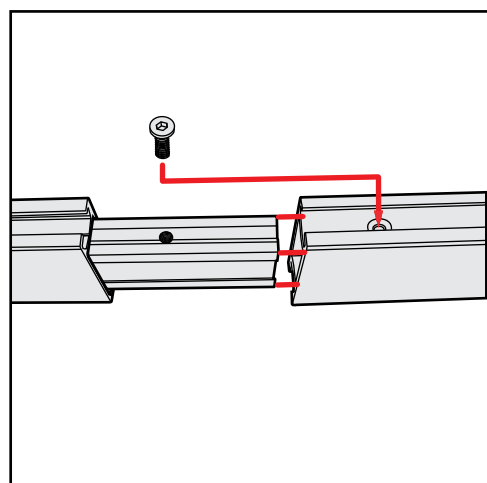
- For loss prevention, tighten all set screws and locks during disassembly.



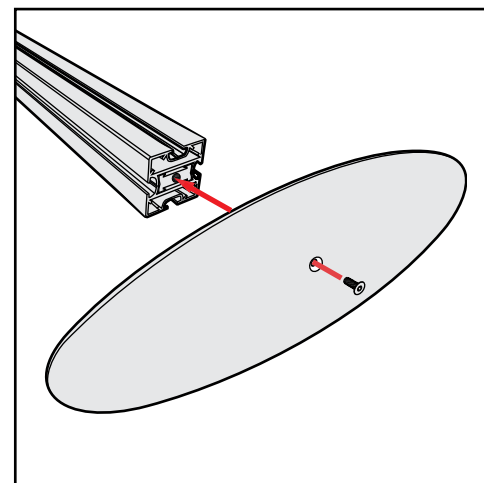
Hex Tool - Essential for Assembly



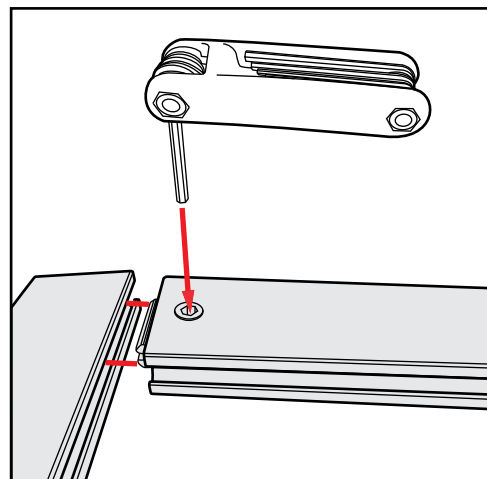
Part Identification - Numbering



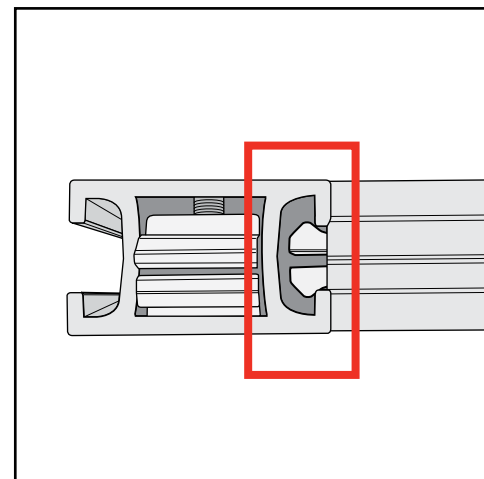
Spline Connection



Base Plate & Extrusion Connection



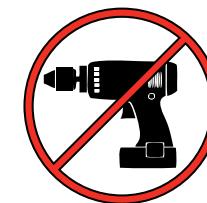
Extrusion & Lock Connection



Engaged Lock



WARNING



DO NOT USE POWER TOOLS



LADDERS OR LIFTS
MAY BE REQUIRED

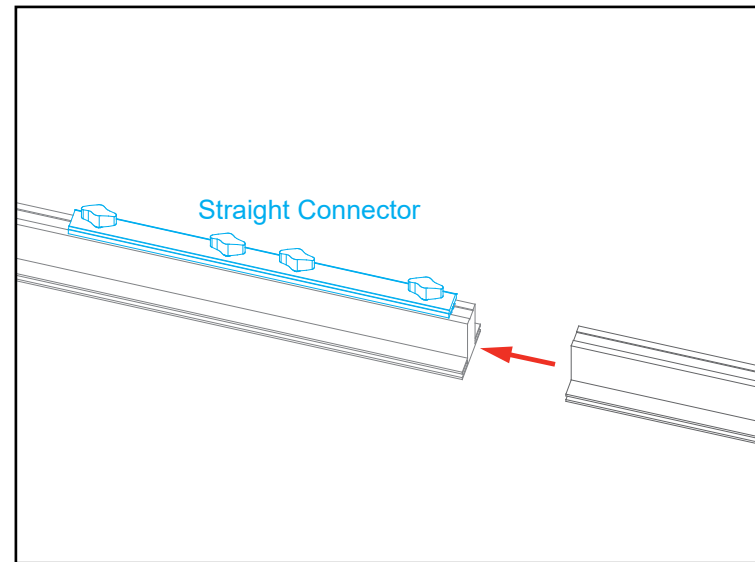


ALL CONNECTIONS MUST
BE TIGHTLY SECURED

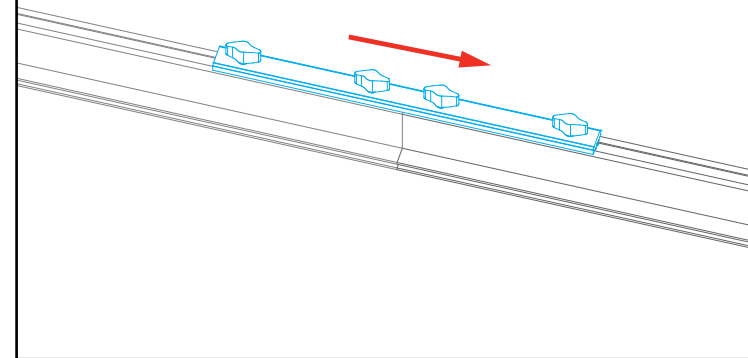
Straight Connection

When assembling frame, first attach all **straight connectors**, then attach **corner connectors**.

- 1) Place extrusions end-to-end.
- 2) Loosen all knobs, then slide **straight connector** across the seam of extrusions.
- 3) Tighten all knobs to secure connection.



Slide connector across seam of extrusions.
Tighten all knobs.



Disassembly

- 1) Loosen all knobs.
- 2) Slide connectors off of one extrusion.
- 3) Tighten knobs to prevent loss during packing & shipping.

Keep straight connectors in groove of extrusion. Do not remove connectors during disassembly.

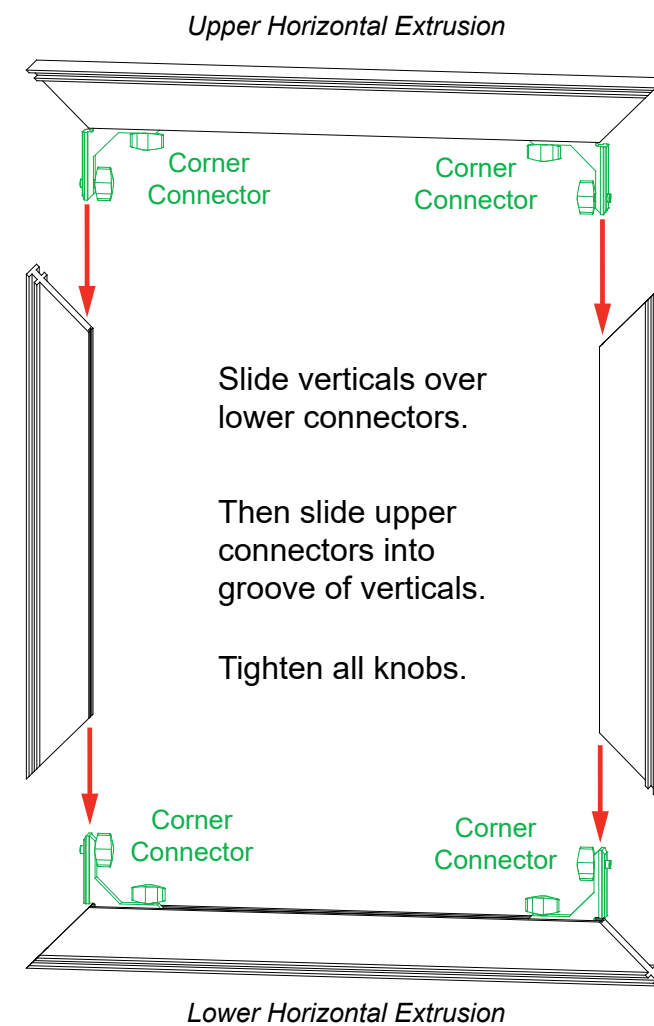
All knobs must be tightened securely to ensure a proper connection.

Corner Connection

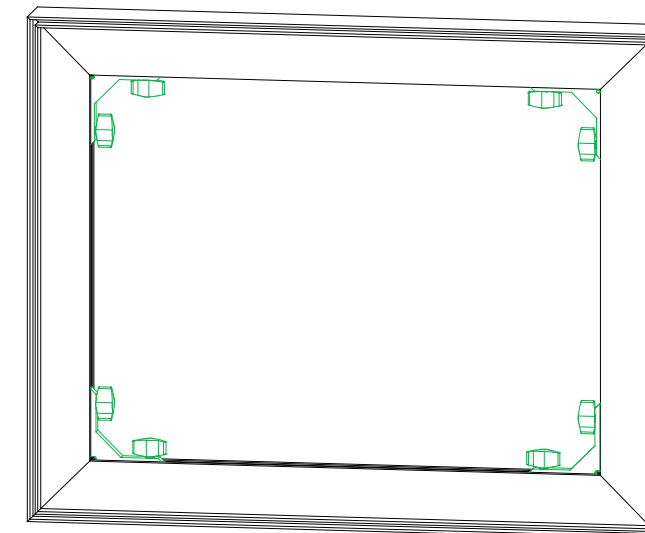
- 1) Loosen knobs, then slide vertical extrusions onto **corner connectors** of **lower** horizontal extrusion.
- 2) Slide **corner connectors** of **upper** horizontal extrusion into grooves of vertical extrusions.
- 3) Tighten all knobs to secure connection.

Disassembly

- 1) Loosen knobs on vertical extrusions.
- 2) Slide the vertical extrusions off of **corner connectors** on lower and upper horizontal extrusions.

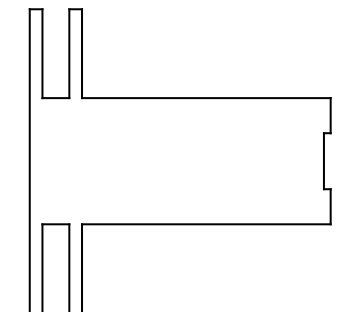


Adjust connectors if necessary to prevent gaps in connection.



COMPLETED ASSEMBLY

All knobs must be tightened securely to ensure a proper connection.

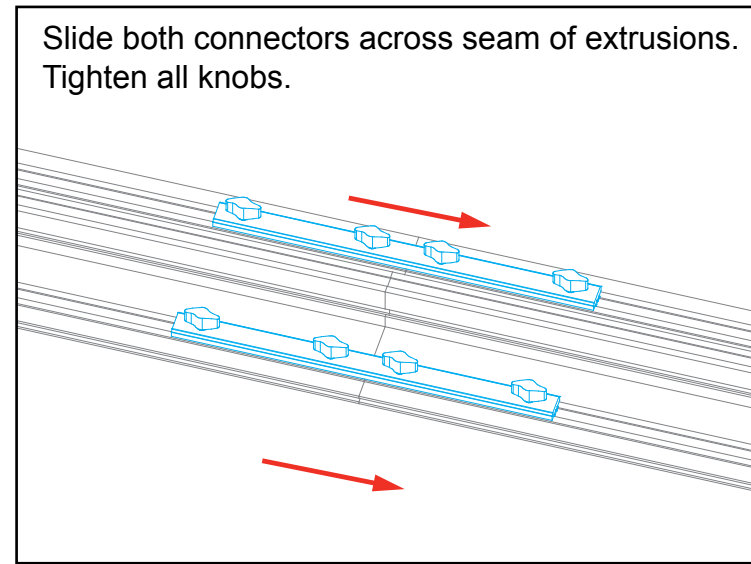
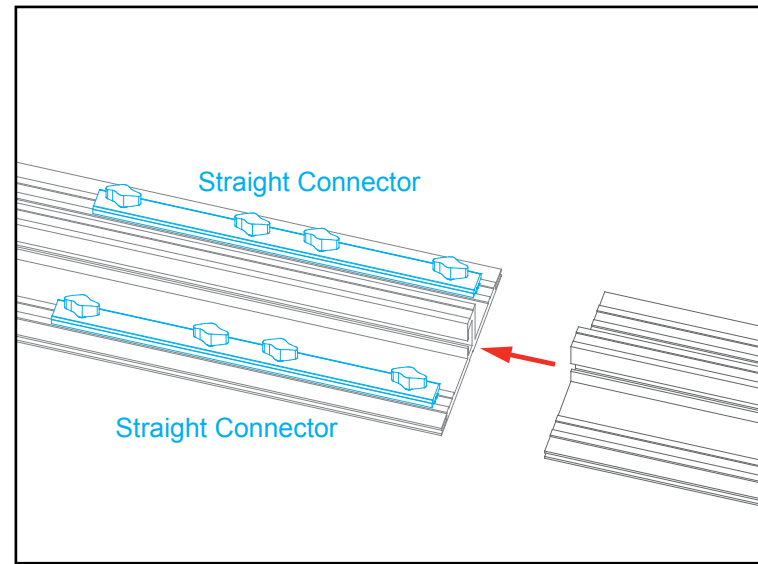


TSP49 Profile

Straight Connection

When assembling frame, first attach all **straight connectors**, then attach **corner connectors**.

- 1) Place extrusions end-to-end.
- 2) Loosen all knobs, then slide **straight connectors** across the seam of extrusions.
- 3) Tighten all knobs to secure connection.



All knobs must be tightened securely to ensure a proper connection.

Disassembly

- 1) Loosen all knobs.
- 2) Slide connectors off of one extrusion.
- 3) Tighten knobs to prevent loss during packing & shipping.

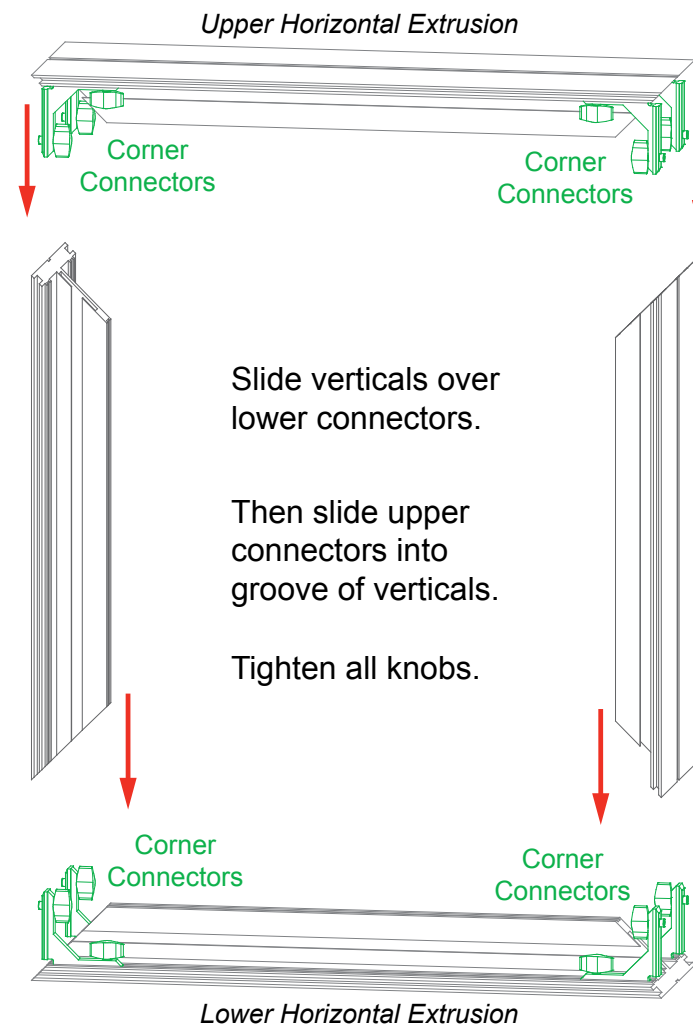
Keep straight connectors in groove of extrusion. Do not remove connectors during disassembly.

Corner Connection

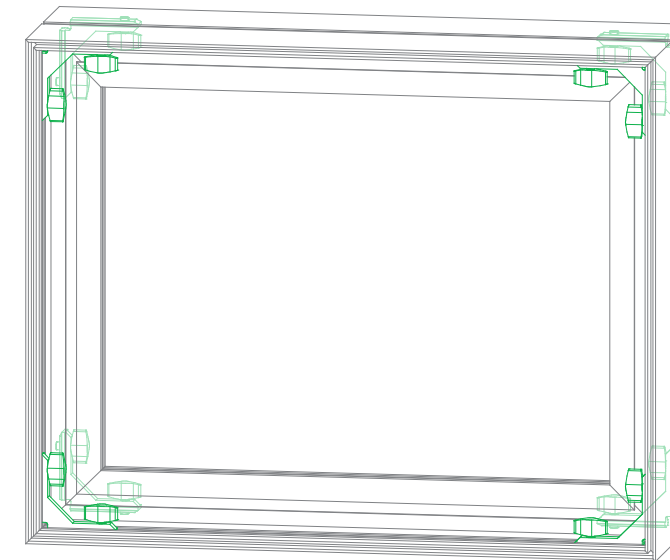
- 1) Loosen knobs, then slide vertical extrusions onto **corner connectors** of **lower** horizontal extrusion.
- 2) Slide **corner connectors** of **upper** horizontal extrusion into grooves of vertical extrusions.
- 3) Tighten all knobs to secure connection.

Disassembly

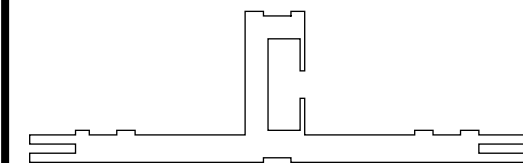
- 1) Loosen knobs on vertical extrusions.
- 2) Slide the vertical extrusions off of **corner connectors** on lower and upper horizontal extrusions.



Adjust connectors if necessary to prevent gaps in connection.



All knobs must be tightened securely to ensure a proper connection.

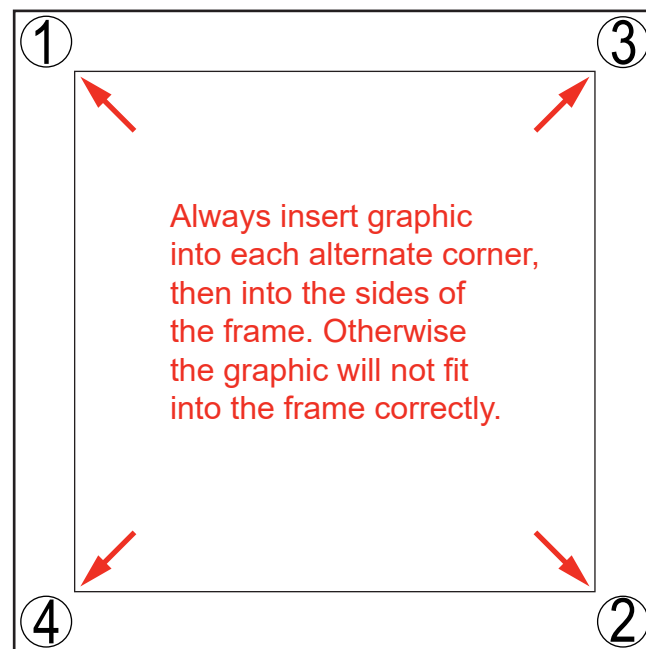


CEI152 Profile

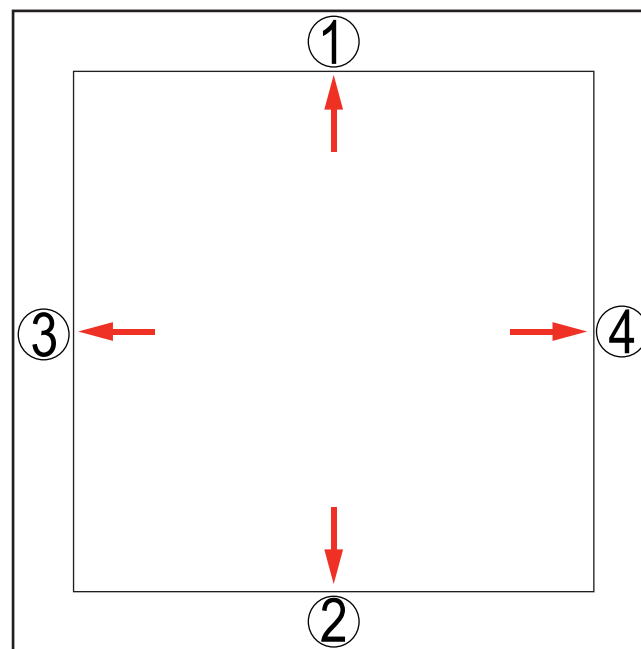
SEG Graphic Installation *in 3 Steps*

The Perfect Fit

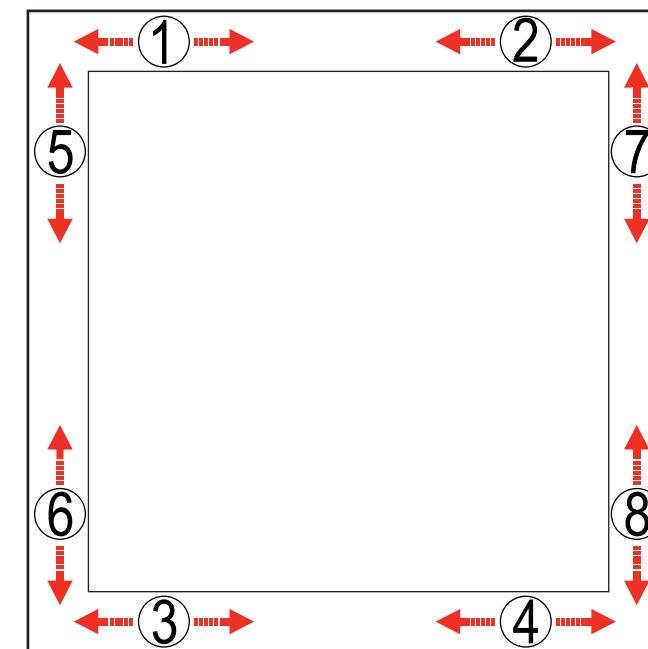
STEP 1: Attach Corners



STEP 2: Attach Middle



STEP 3: Attach Sides



Insert narrow side of silicone welt into the channel at corner 1, with fabric to the outside.

Repeat for opposite corner 2, then corner 3, then corner 4.

Once corners are attached, press the middle of edge 1 into the channel. Then press middle of edge 2 into the channel on opposite side.

Repeat with edge 3 & 4.

Once the middle of sides are attached, fully press the silicone welt into the channel, between center and corner at location 1. Repeat the process between center and corner at location 2.

Do the same for welt on opposite side, at locations 3 & 4. Then repeat for locations 5 & 6 and 7 & 8.

Once the welt is fully inserted on all sides, smooth out edges as needed for a perfect fit.

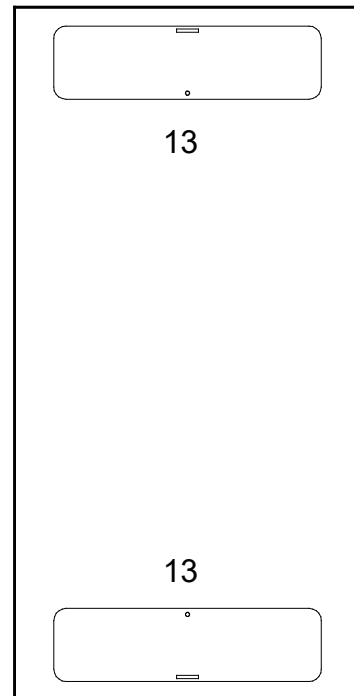


To remove the graphic from the frame, locate the fabric **pull tab**. Gently pull on the tab to remove the graphic.

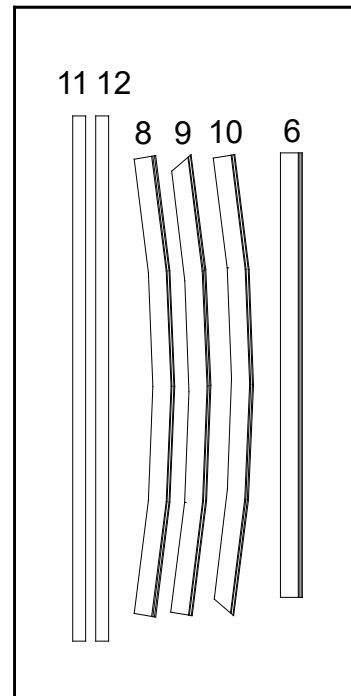
Install video:



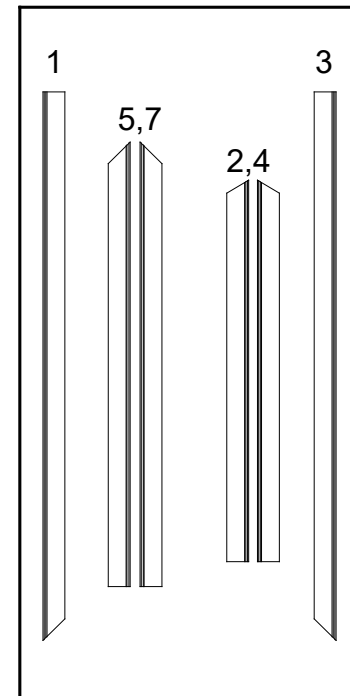
Top View of Each Level



Level 1
(Bottom level)



Level 2

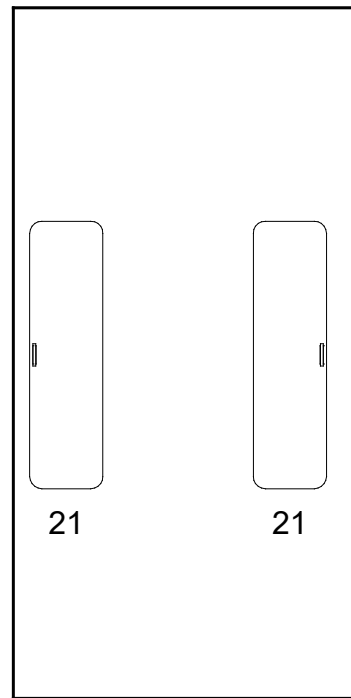


Level 3

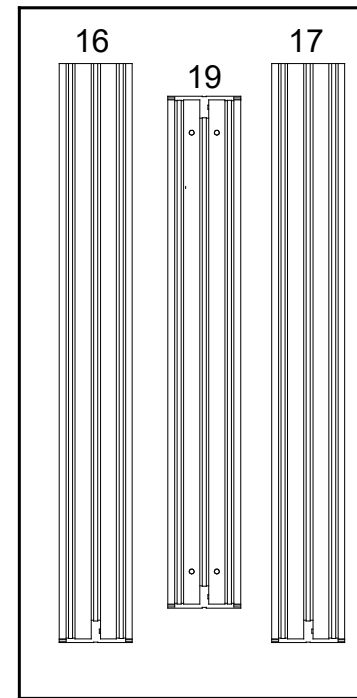
Lights
Setup Hardware

Graphics

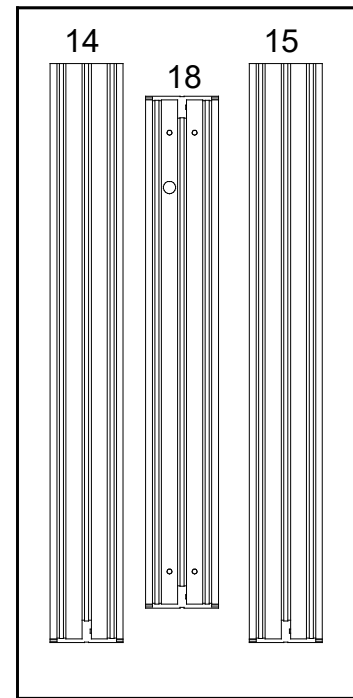
Top View of Each Level



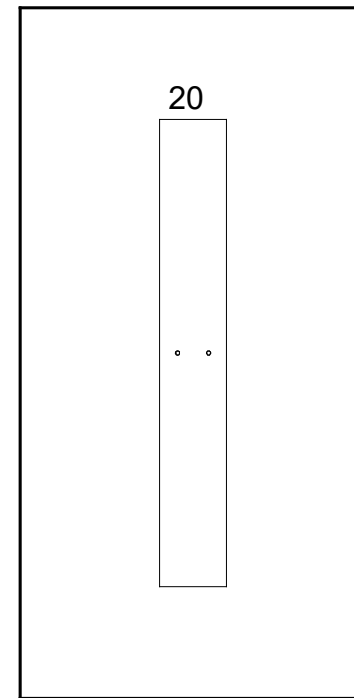
Level 1
(Bottom level)



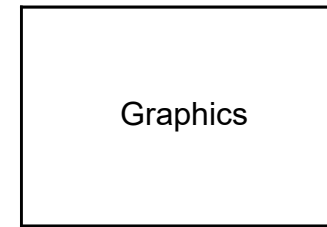
Level 2



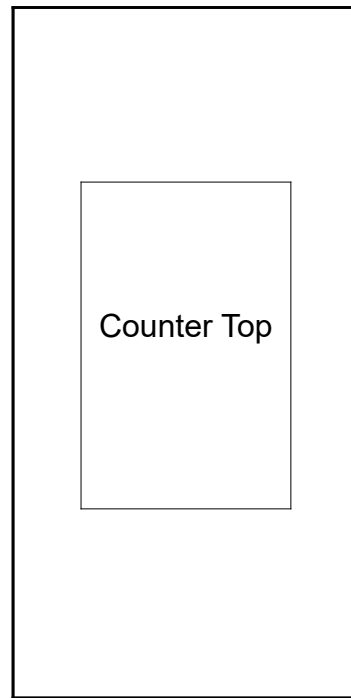
Level 3



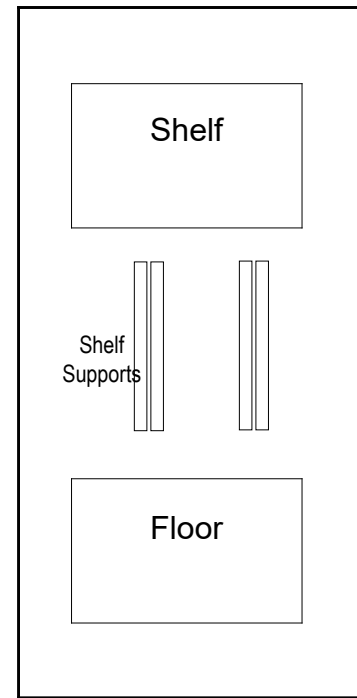
Level 4



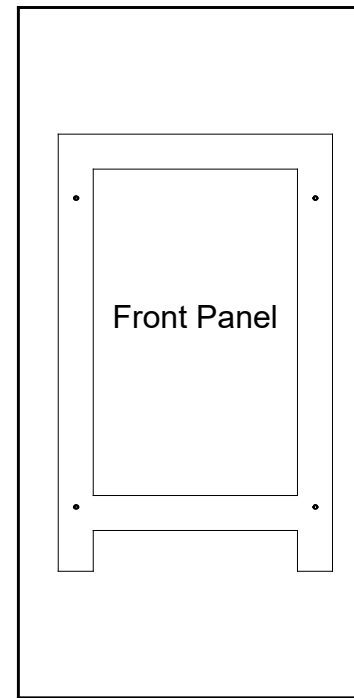
Top View of Each Level



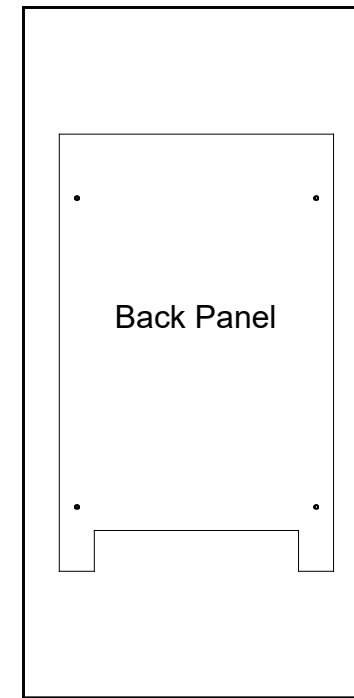
Level 1
(Bottom level)



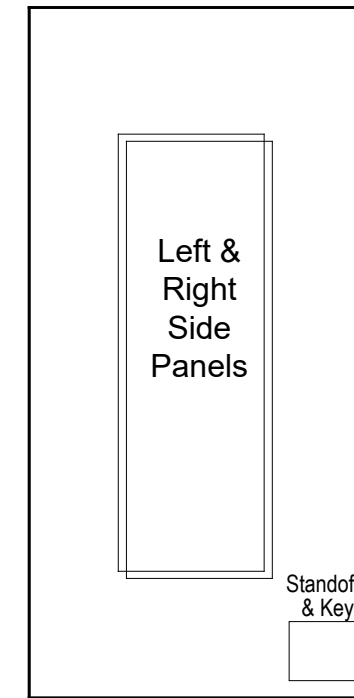
Level 2



Level 3



Level 4



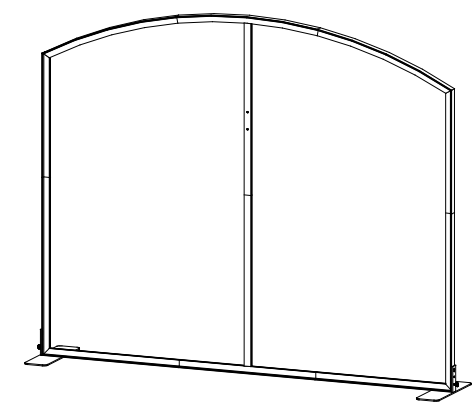
Level 5

Item	Qty.	Description
1	1	45"h TSP49 Vertical Extrusion
2	1	31.305"h TSP49 Vertical Extrusion
3	1	45"h TSP49 Vertical Extrusion
4	1	31.305"h TSP49 Vertical Extrusion
5	1	36.467"w TSP49 Horizontal Extrusion
6	1	36.467"w TSP49 Horizontal Extrusion
7	1	36.467"w TSP49 Horizontal Extrusion
8	1	38.019"w TSP49 curved Horizontal Extrusion
9	1	38.019"w TSP49 curved Horizontal Extrusion
10	1	38.019"w TSP49 curved Horizontal Extrusion
11	1	45.209"h Z45 Vertical Extrusion
12	1	41.209"h Z45 Vertical Extrusion
13	2	6" x 22" End Base Plate w/ foot

Steps:

Refer to the *Tool-less Frame Assembly* general information page.

- 1) Assemble vertical extrusions [1-2], [3-4], [11-12] & horizontals [5-6-7], [8-9-10] together, using **Tool-less Spline connectors** labeled [X] & [Y].
- 2) Connect vertical assemblies [1/2], [3/4] between horizontal assemblies [5/6/7], [8/9/10], using **Tool-less Corner Connectors** labeled [A] & [B].
- 3) Install Base Plates [13] to bottom corners of frame assembly as shown. See **Base Plate Attachment** detail.
- 4) Lift frame to upright position, then connect vertical assembly [11/12] between horizontal assemblies [5/6/7], [8/9/10] using **Connection Lock w/ Knob**.



When assembled

Assemble frame flat on ground.

*** Tool-less Spline Connector**

1. Place extrusions end-to-end.
2. Slide tool-less connectors across seam of extrusions.
3. Tighten all knobs to secure connection.

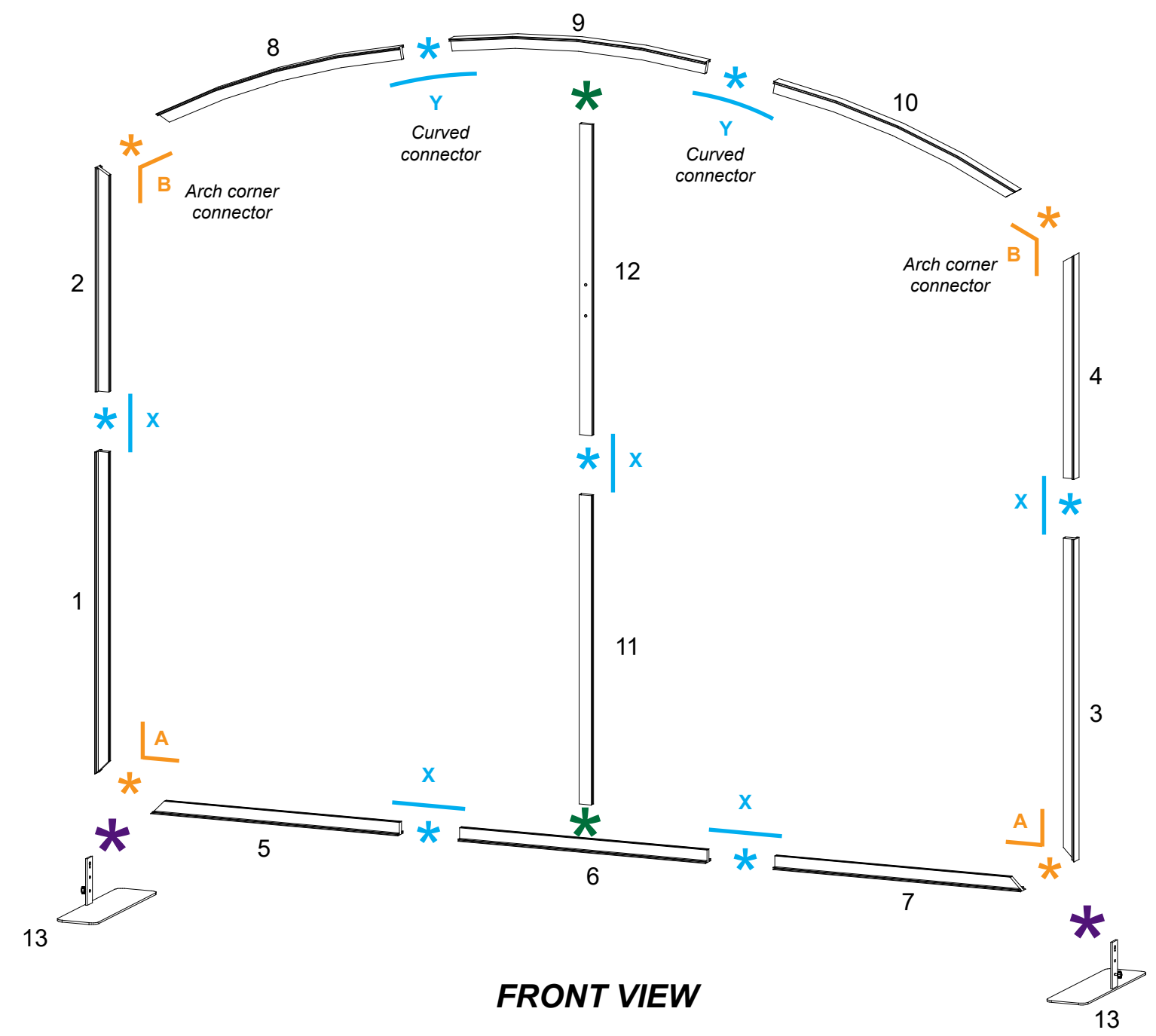
X = Straight spline
Y = Curved spline

*** Tool-less Corner Connector**

1. Slide extrusion onto Corner Connector.
2. Tighten all knobs to secure connection.

A = 90° Connector
B = 117° Connector

Keep corner connectors attached to horizontal extrusions.



*** Connection Lock w/ Knob**

Knobs face **back** of assembly.

BACK VIEW

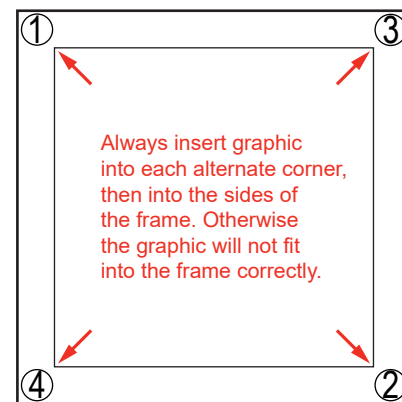
*** Base Plate Attachment**

- 1) Place key hole over bolt on panel & slide down.
- 2) Twist knob to secure connection.

Labels: bolt, threaded hole, key hole, knob, Base Plate

SEG Graphic Installation

STEP 1: Attach Corners

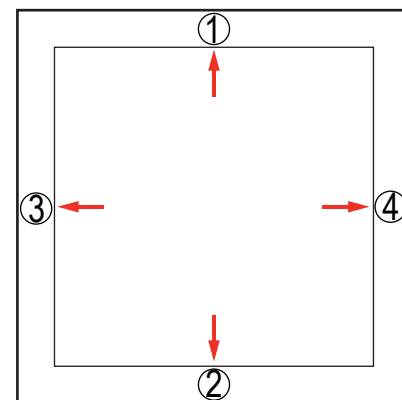


Insert narrow side of silicone welt into the channel at corner 1, with fabric to the outside.

Repeat for opposite corner 2, then corner 3, then corner 4.



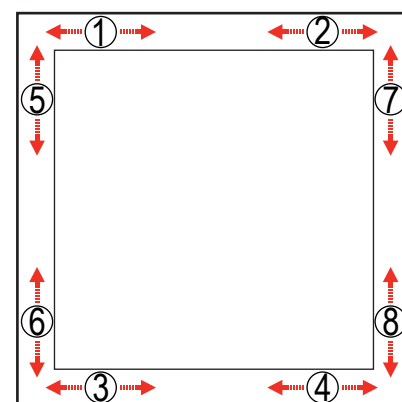
STEP 2: Attach Middle



Once corners are attached, press the middle of edge 1 into the channel. Then press middle of edge 2 into the channel on opposite side.

Repeat with edge 3 & 4.

STEP 3: Attach Sides



Once the middle of sides are attached, fully press the silicone welt into the channel, between center and corner at location 1. Repeat the process between center and corner at location 2.

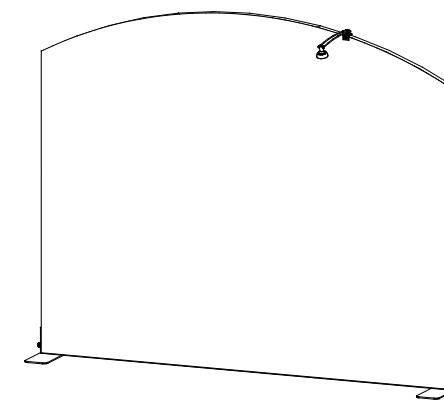


Do the same for welt on opposite side, at locations 3 & 4. Then repeat for locations 5 & 6 and 7 & 8.

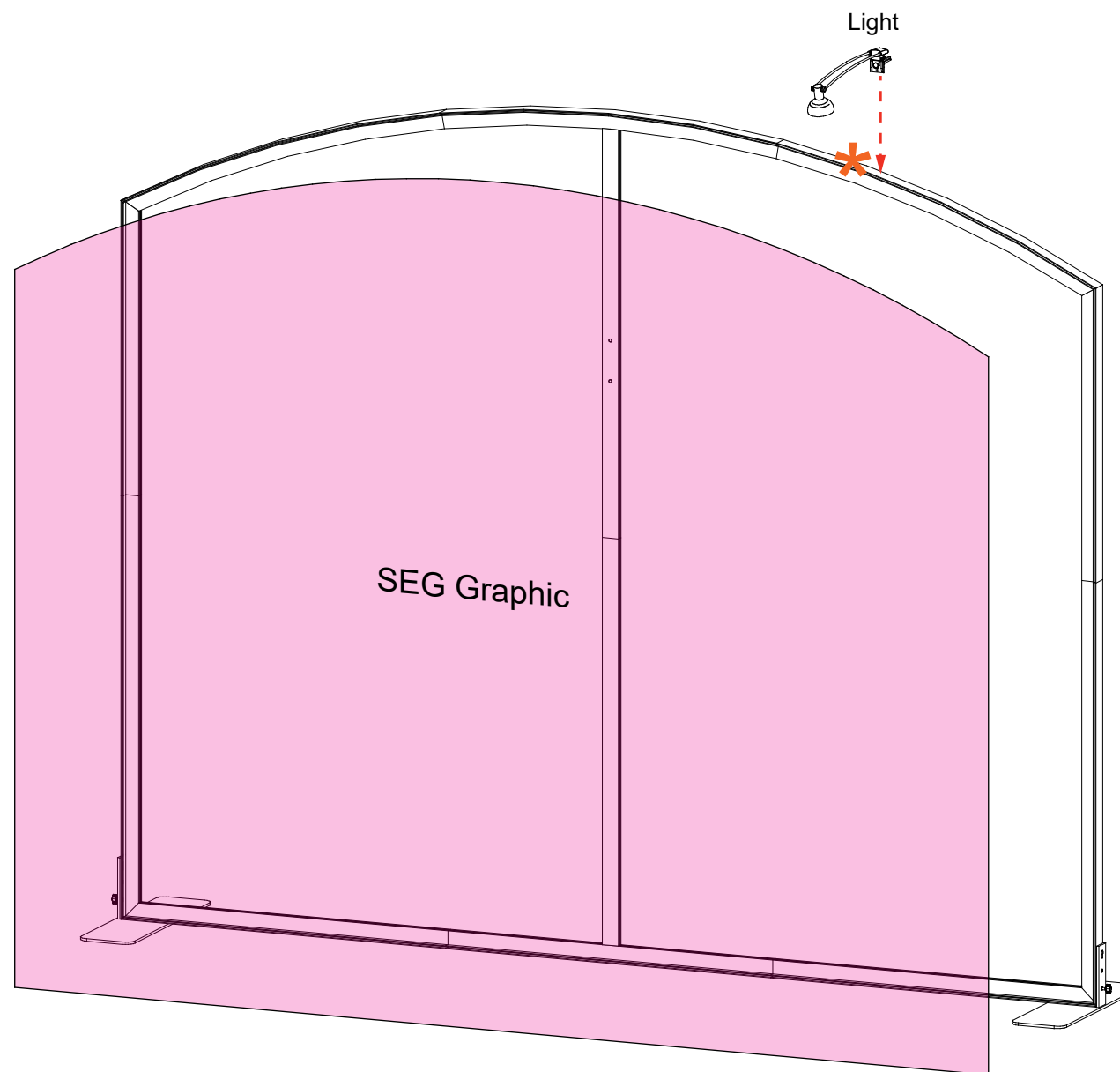


To remove the graphic from the frame, locate the fabric pull tab. Gently pull on the tab to remove the graphic.

- Steps:
- 1) Apply SEG Graphic to front of assembled frame.
 - 2) Attach Light to top of backwall as shown. See [Light Attachment](#) detail.



When assembled

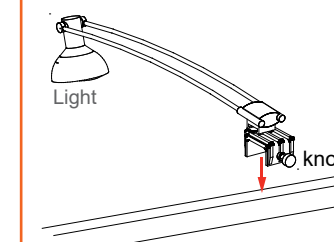


FRONT VIEW

* Light Attachment

Attach clamp of stem light to top of horizontal extrusion where desired.

Twist knob on back to tighten in place.



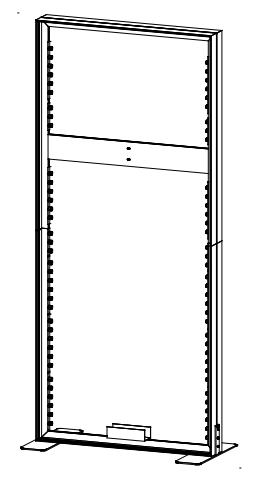
BACK VIEW

Item	Qty.	Description
14	1	47.5”h CEI152 Vertical Extrusion
15	1	47.5”h CEI152 Vertical Extrusion
16	1	47.5”h CEI152 Vertical Extrusion
17	1	47.5”h CEI152 Vertical Extrusion
18	1	42”w CEI152 Horizontal Extrusion
19	1	42”w CEI152 Horizontal Extrusion
20	1	38.353”w Z140 Horizontal Extrusion
21	2	6” x 22” End Base Plate w/ foot
--	1	U-Channel

Steps:

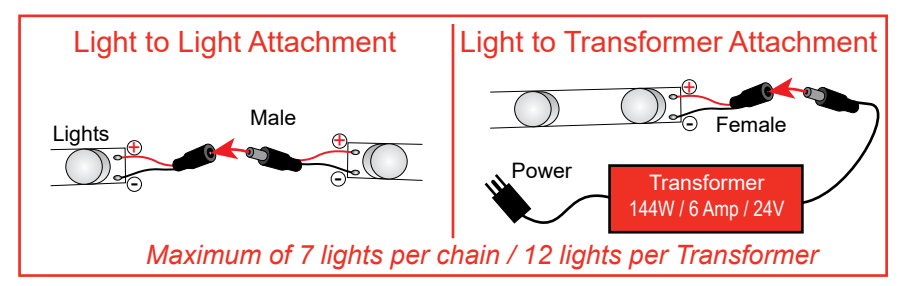
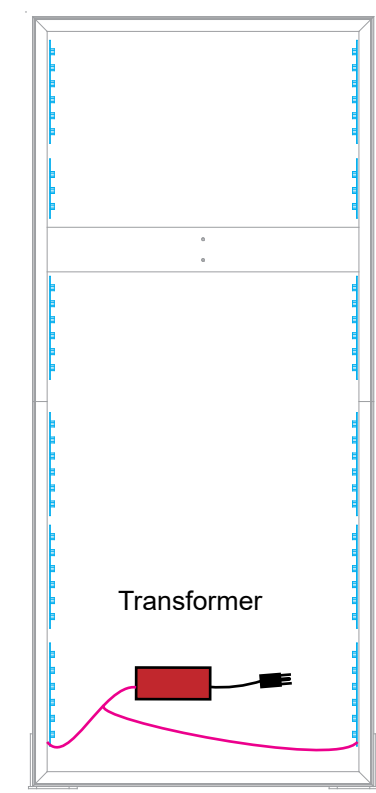
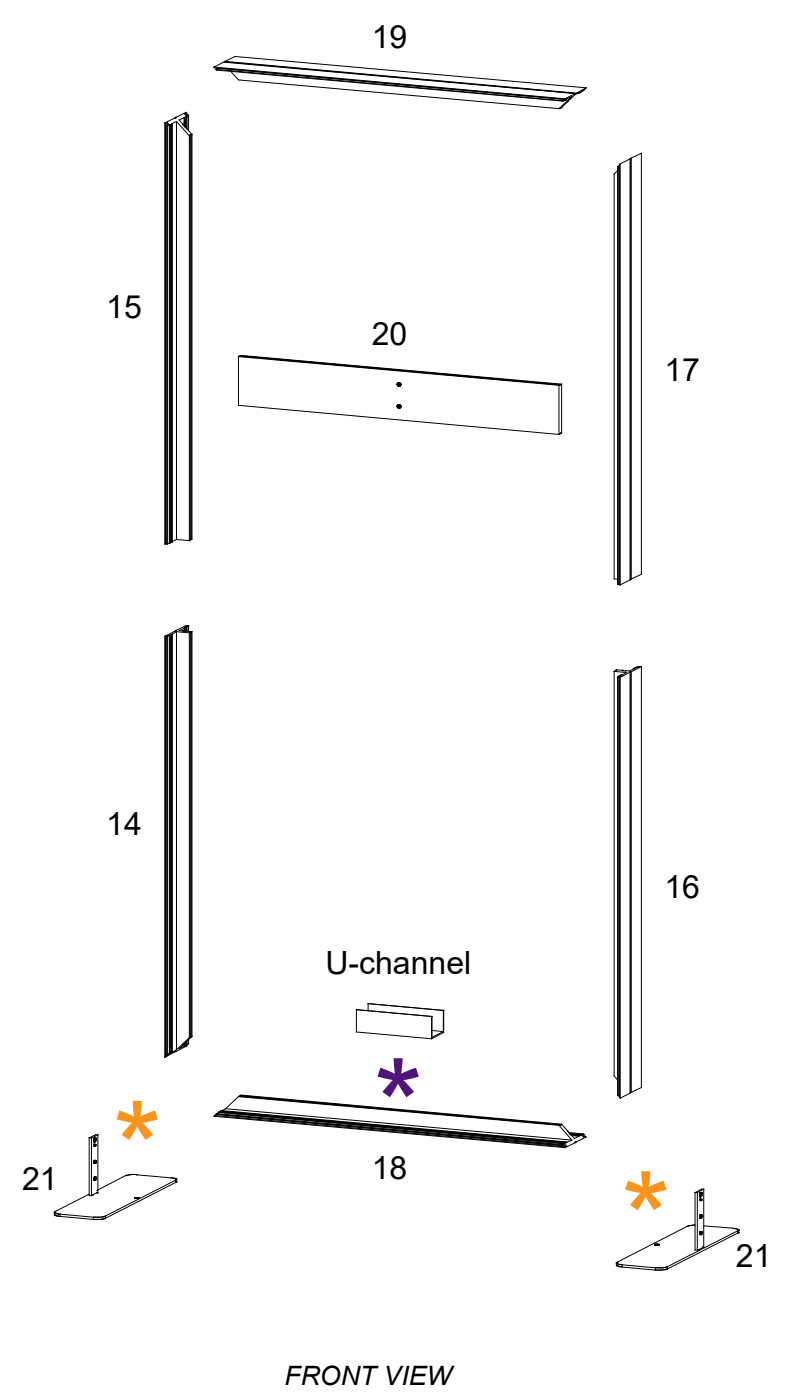
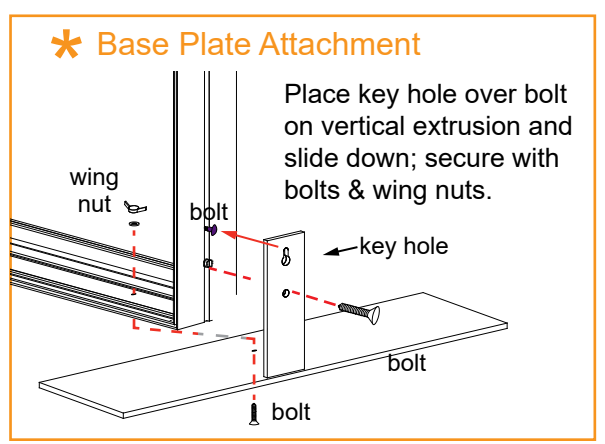
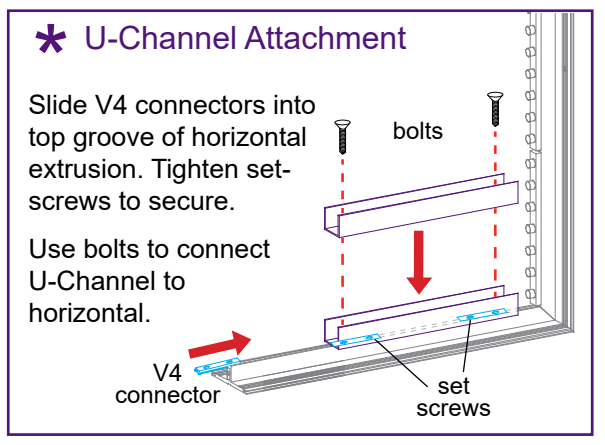
Refer to the CEI152 Frame Assembly general information page.

- 1) Attach U-Channel to horizontal [18]. See **U-Channel Attachment** detail.
- 2) Assemble vertical extrusions [14-15], [16-17] together, using straight connectors.
- 3) Connect vertical assemblies [14/15], [16/17] between horizontals [18,19] using corner Connectors.
- 4) Attach horizontal [20] between verticals as shown.
- 5) Install Base Plates [21] to bottom corners of frame assembly as shown. See **Base Plate Attachment** detail.
- 6) Connect power cords to Supernova lights as shown.



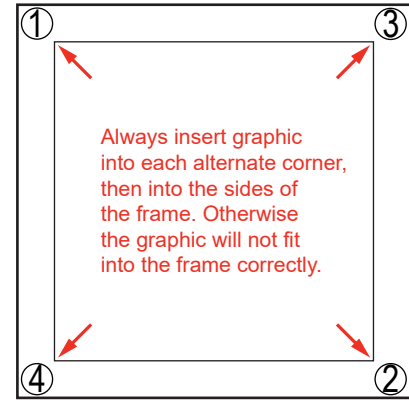
When assembled

Assemble frame flat on ground.



SEG Graphic Installation

STEP 1: Attach Corners

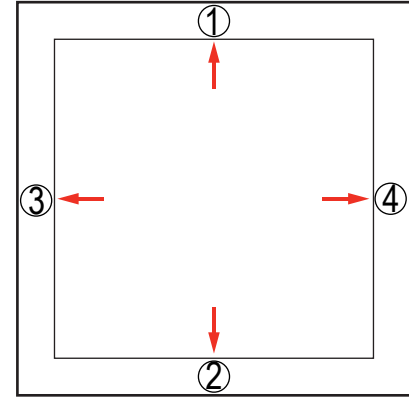


Insert narrow side of silicone welt into the channel at corner 1, with fabric to the outside.

Repeat for opposite corner 2, then corner 3, then corner 4.



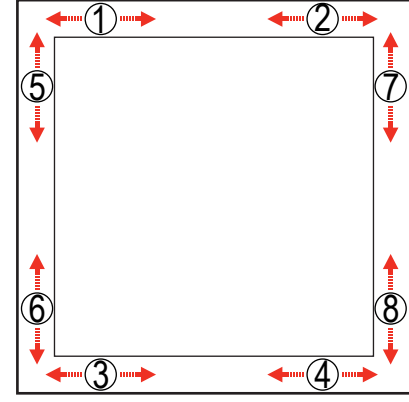
STEP 2: Attach Middle



Once corners are attached, press the middle of edge 1 into the channel. Then press middle of edge 2 into the channel on opposite side.

Repeat with edge 3 & 4.

STEP 3: Attach Sides



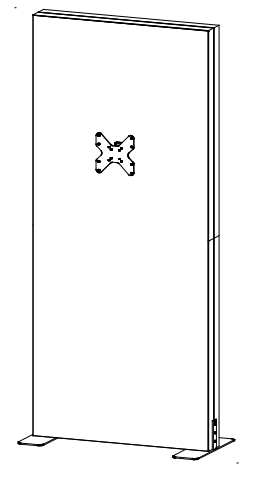
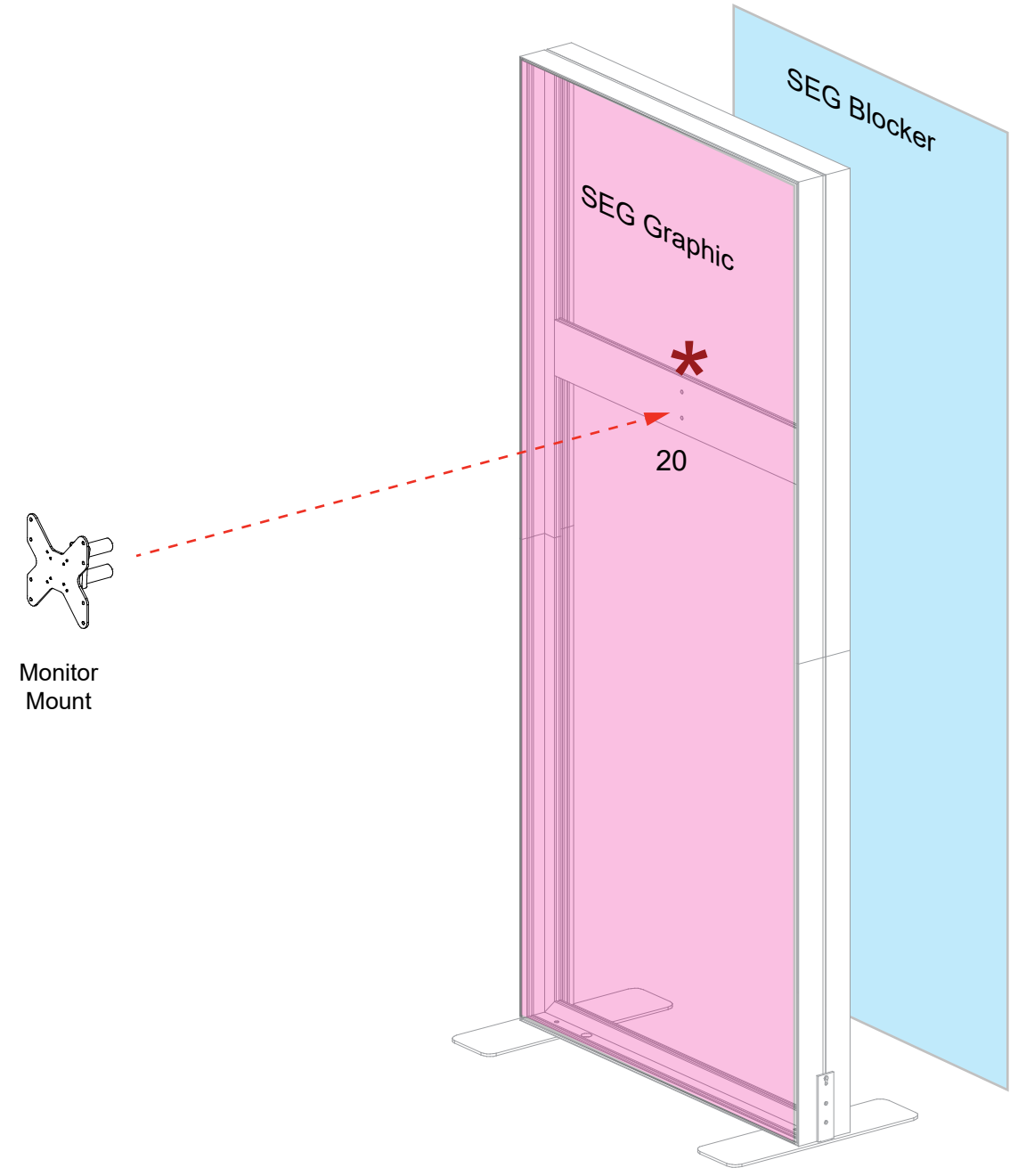
Once the middle of sides are attached, fully press the silicone welt into the channel, between center and corner at location 1. Repeat the process between center and corner at location 2.



Do the same for welt on opposite side, at locations 3 & 4. Then repeat for locations 5 & 6 and 7 & 8.



- Steps:
- 1) Apply SEG graphic to *front* of frame assembly.
 - 2) Connect Monitor Mount to horizontal [20].
See **Monitor Mount Attachment** detail.
 - 3) Apply SEG blocker to *back* of frame assembly.



When assembled

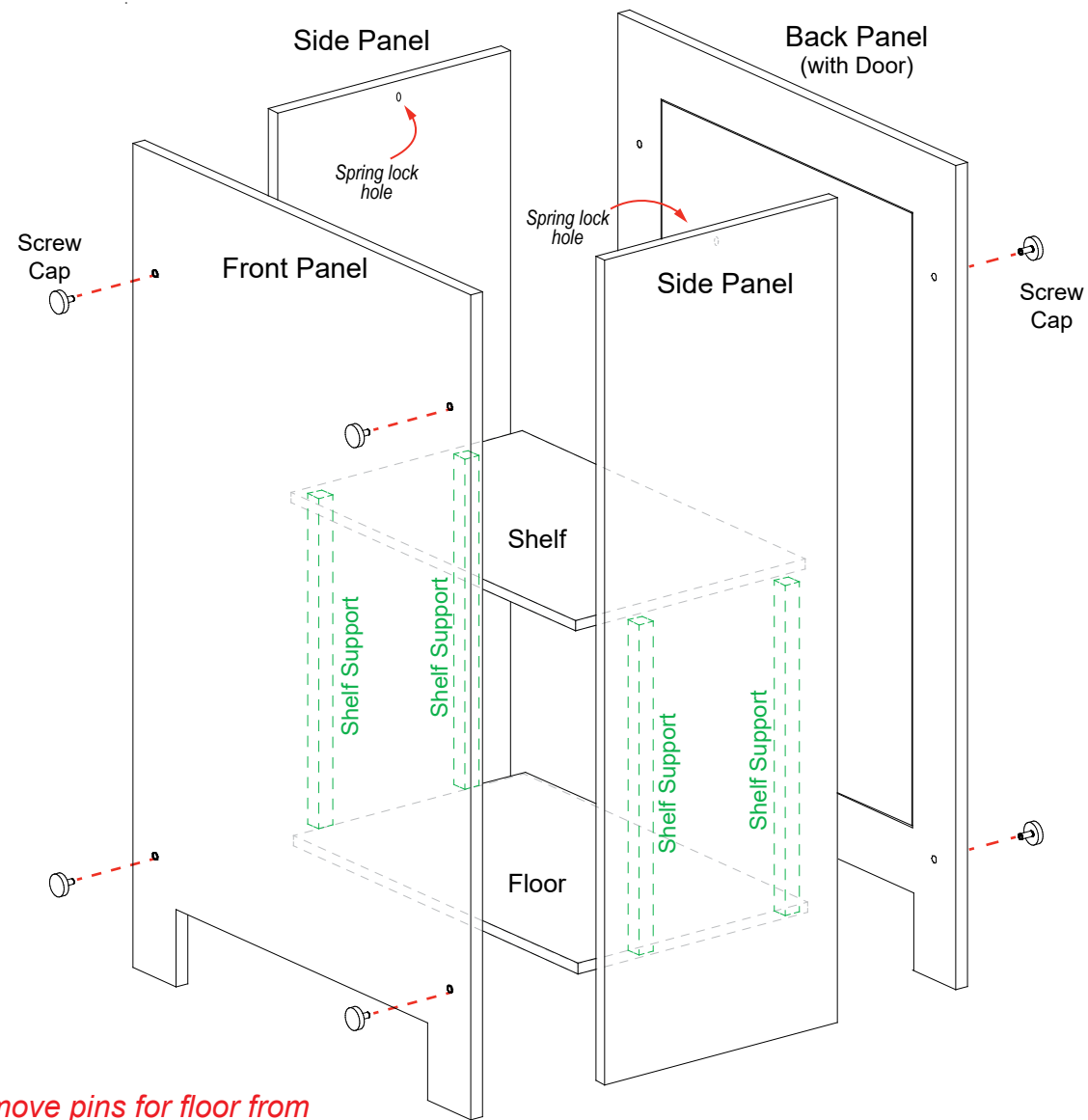
* Monitor Mount Attachment

Attach Monitor Mount to horizontal extrusion using standoff barrels, bolts & wing nuts.

Slide monitor mount into back piece.

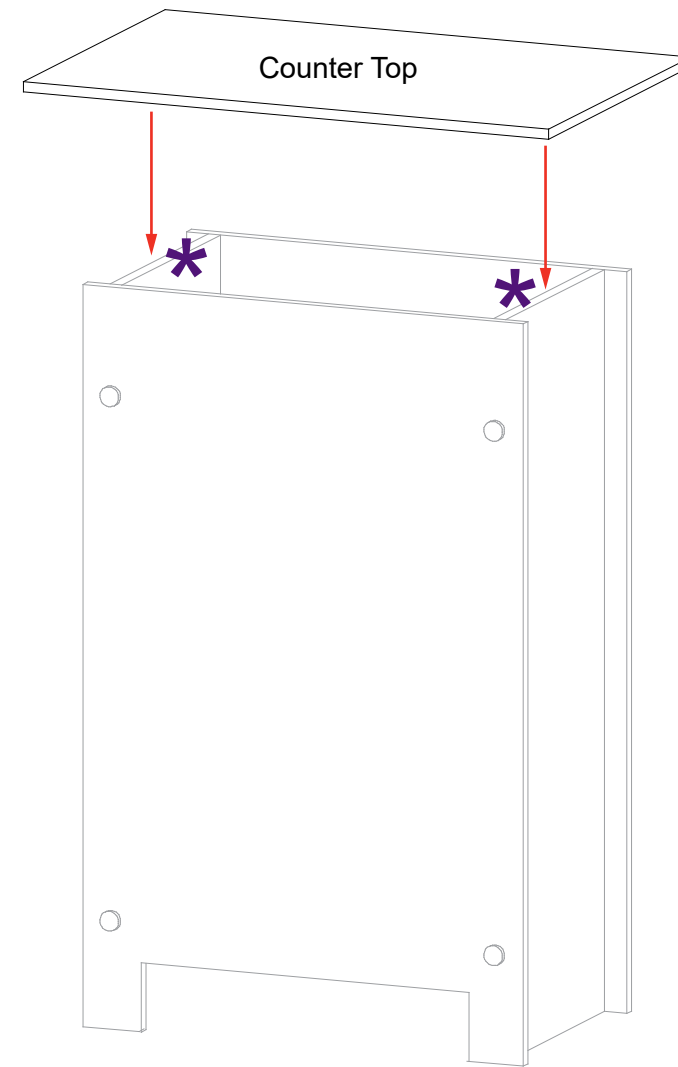
Steps:

- 1) Attach pins at bottom interior of side panels. *Note: Pins are designed to be slightly angled.*
- 2) Use screw caps to secure side panels to front & back panels.
- 3) Slide floor into the bottom of assembled pedestal base. The floor will sit on pins of the side panels.
- 4) Connect shelf supports with Velcro inside of panels, then place shelf on top of supports.
- 5) Attach Counter Top to assembled pedestal base. See Counter Top Attachment detail.

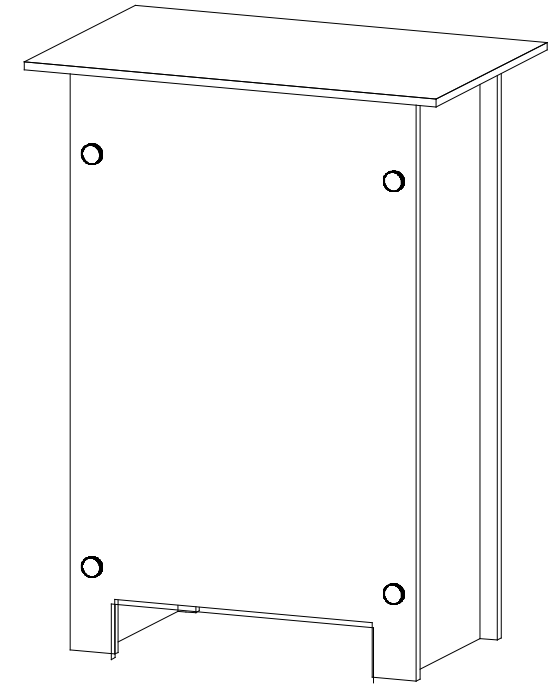


Pedestal Base Assembly

NOTE: Remove pins for floor from side panels when packing.



Pedestal Top Attachment



When assembled

