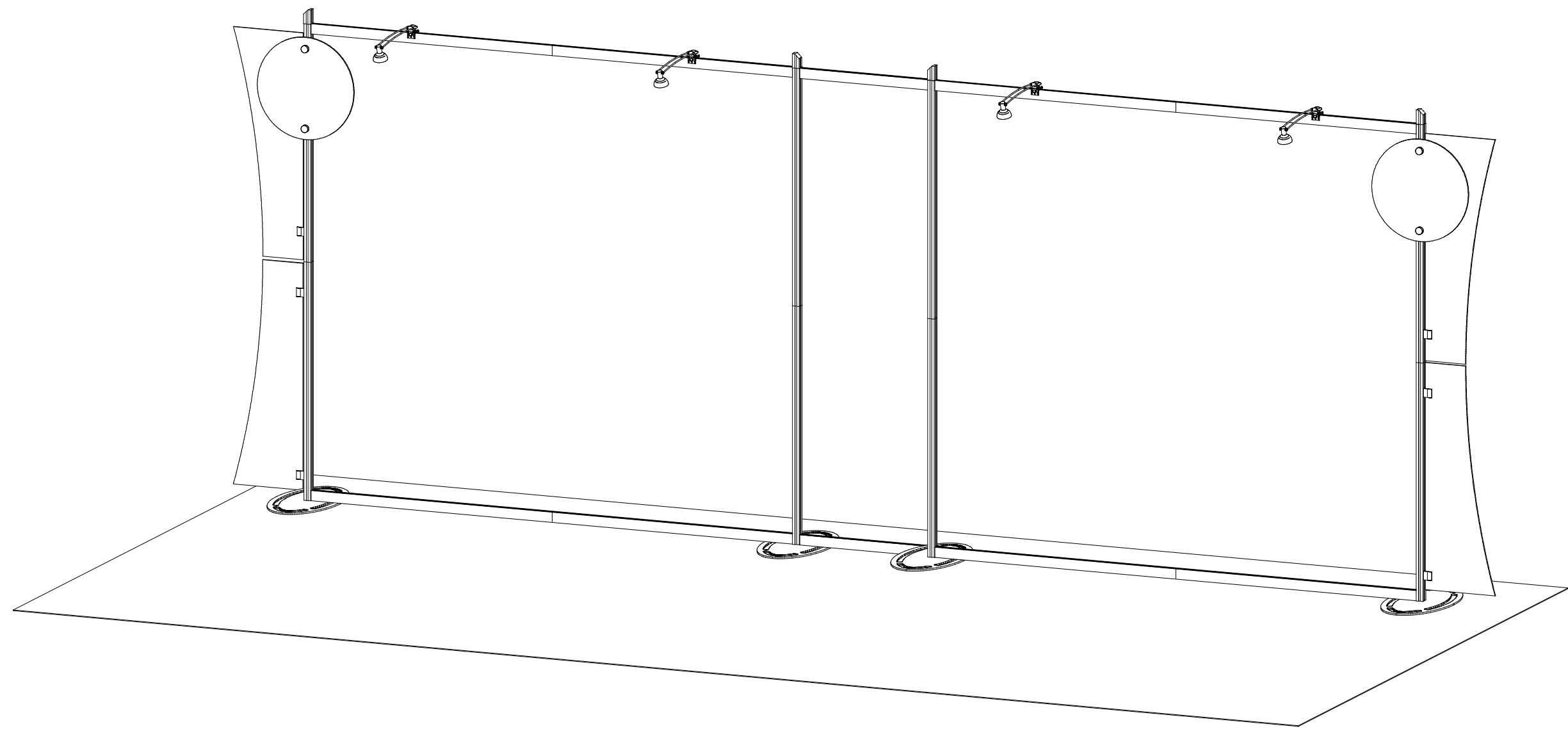


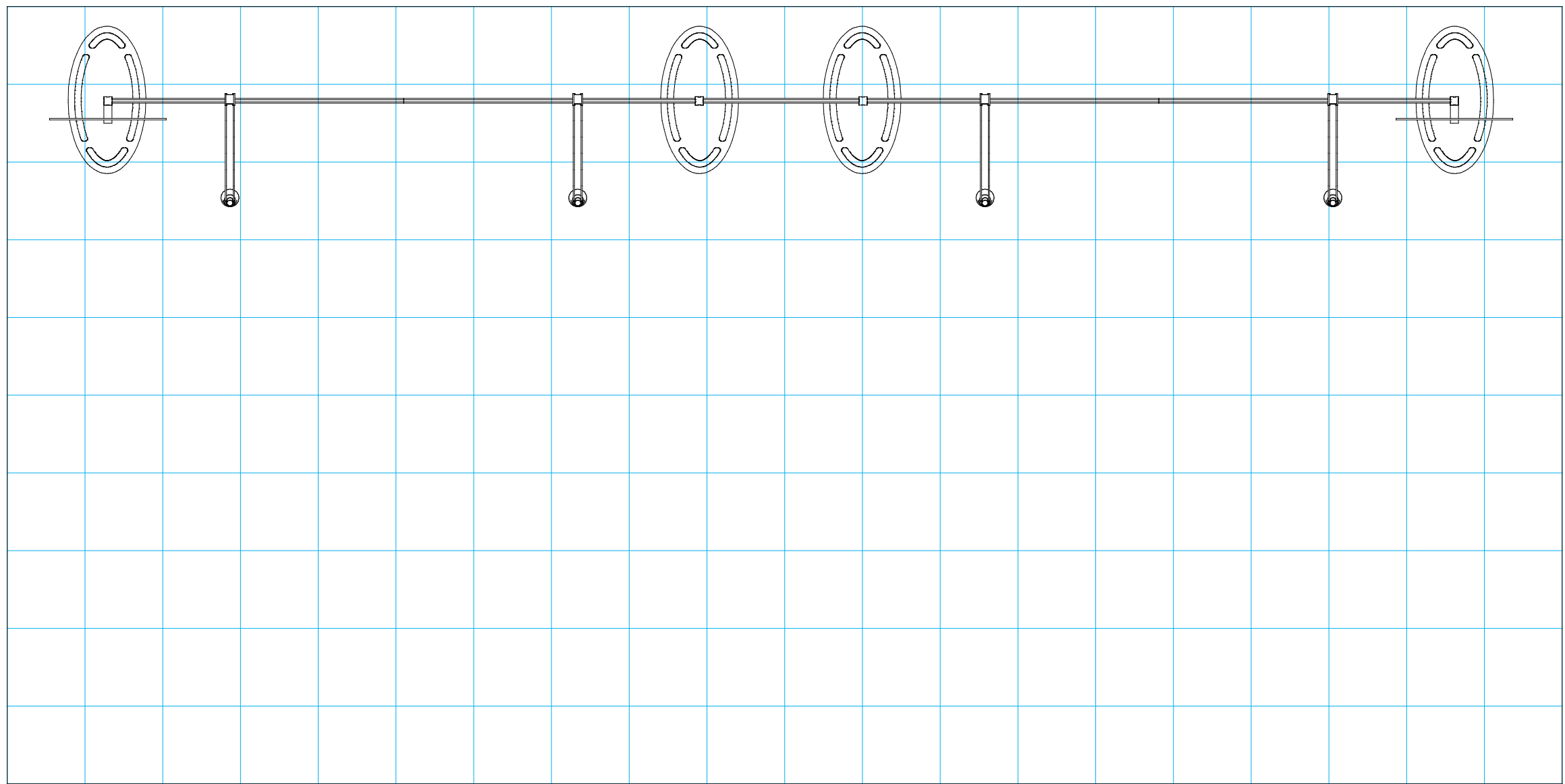
20'


Plan View

10'



# SETUP INSTRUCTIONS



 = 1 sq foot

## General Setup Instructions

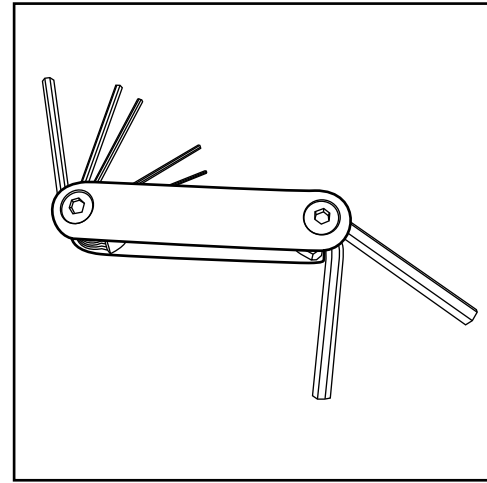
- Read entire setup instruction manual prior to unpacking parts and pieces.
- The setup instructions are created specifically for this configuration.
- Setup instructions are laid out sequentially in steps, including exploded views with detailed explanation for assembly.

## Cleaning & Packing

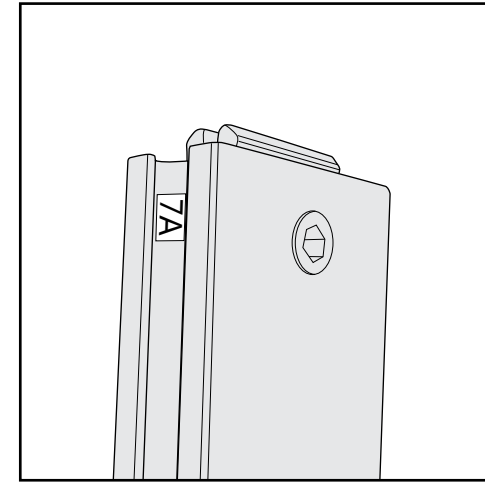
- For Cleaning Metal, Plex, & Laminate Parts: Use a **MILD NON-ABRASIVE** cleanser and soft cloth/paper towel to clean all surfaces.
- Keep exhibit components away from heat and prolonged sun exposure. **Heat and UV exposure will warp and fade components.**
- Retain all provided Packing Materials. All provided packing materials are for ease of repacking & component protection.

## Disassembly

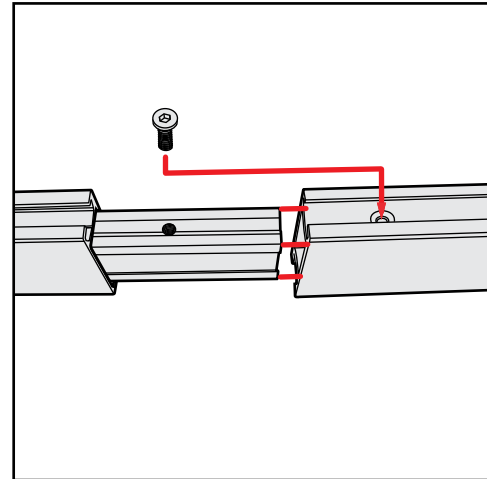
- For loss prevention, tighten all set screws and locks during disassembly.



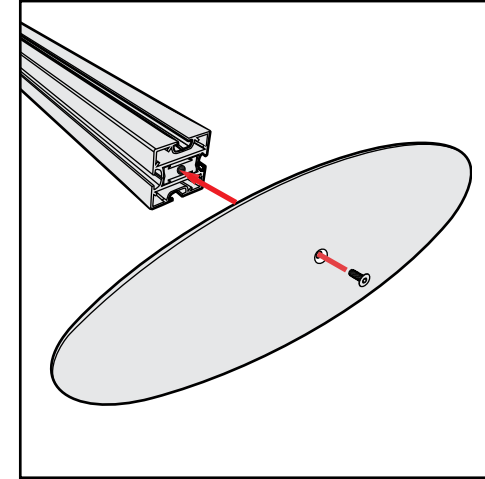
Hex Tool - Essential for Assembly



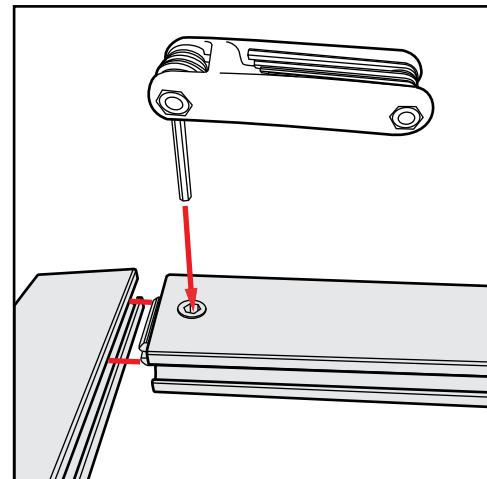
Part Identification - Numbering



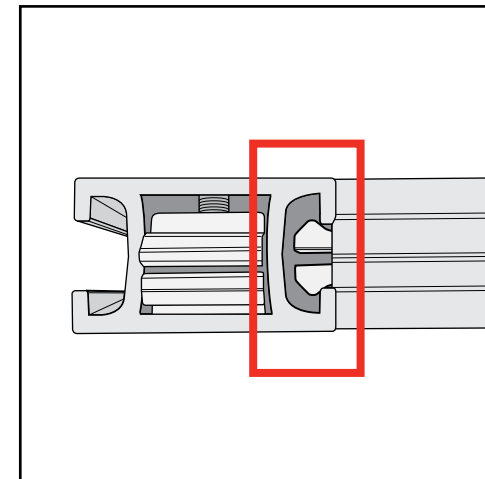
Spline Connection



Base Plate & Extrusion Connection



Extrusion & Lock Connection



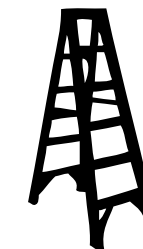
Engaged Lock



# WARNING



DO NOT USE POWER TOOLS



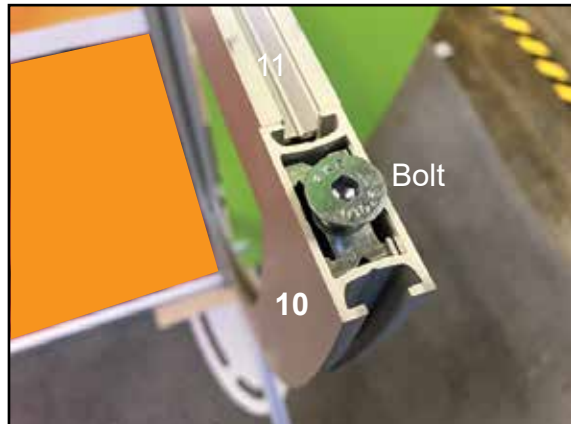
LADDERS OR LIFTS  
MAY BE REQUIRED



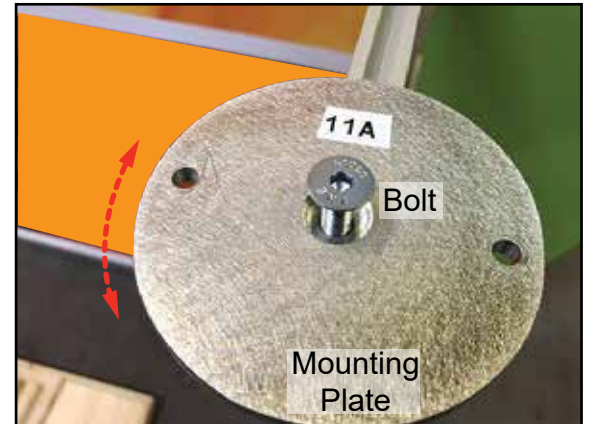
ALL CONNECTIONS MUST  
BE TIGHTLY SECURED



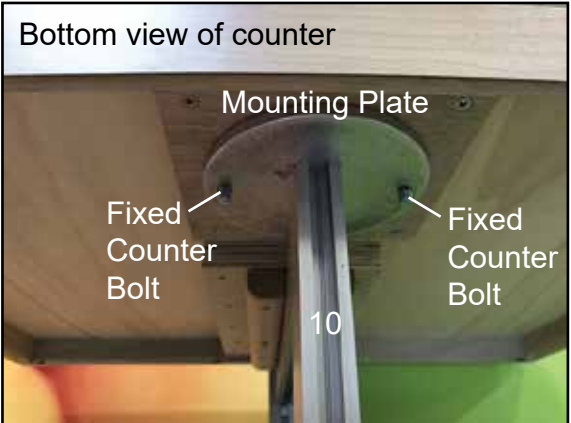
1) Mounting plate & wing nuts, in packed position.



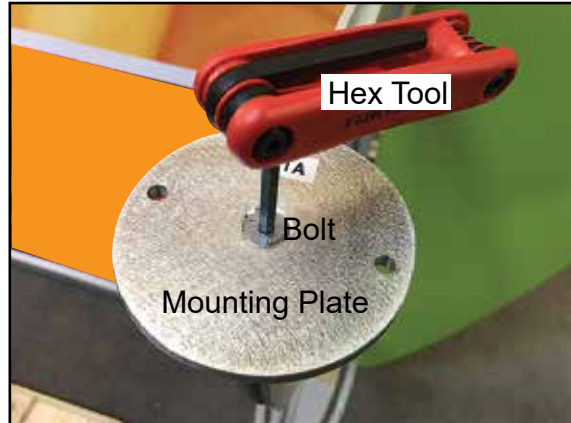
2) Mounting plate bolt in, packed position.



3) Place mounting plate onto [10] then tighten bolt, part way, allowing some rotation for final positioning.



4) Place fixed counter bolts into mounting plate, then lift counter to re-tighten bolt.

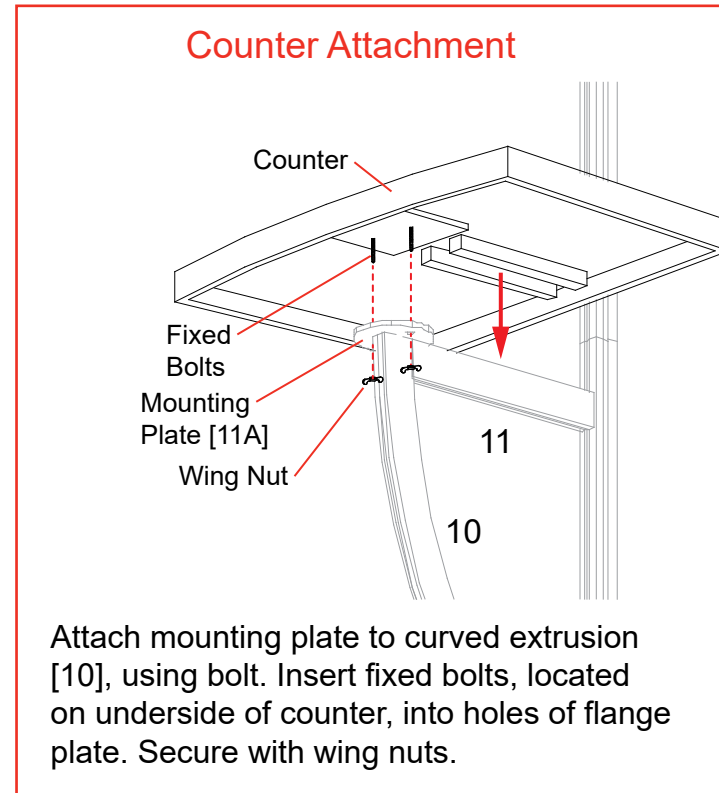


5) Tighten bolt, using hex tool, to secure.



6) Place fixed counter bolts into mounting plate, then secure using wing nuts.

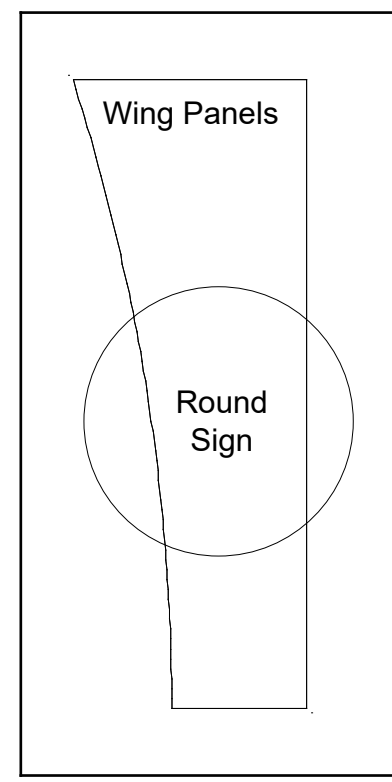
Completed Assembly



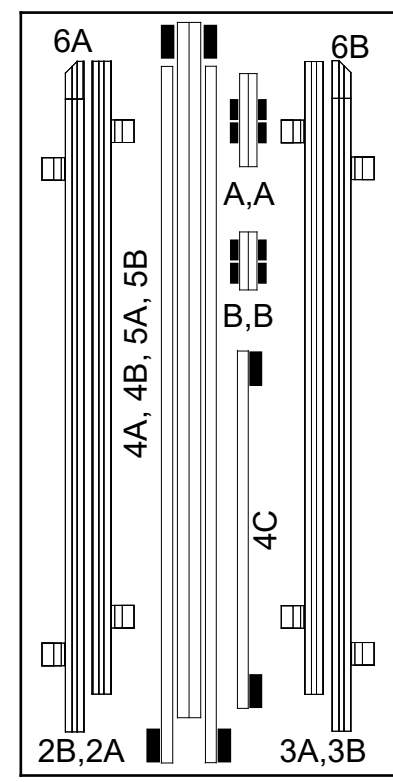
Keep mounting plate [11A] and wing nuts attached to counter, when packing.

Keep bolt attached to [10], when packing.

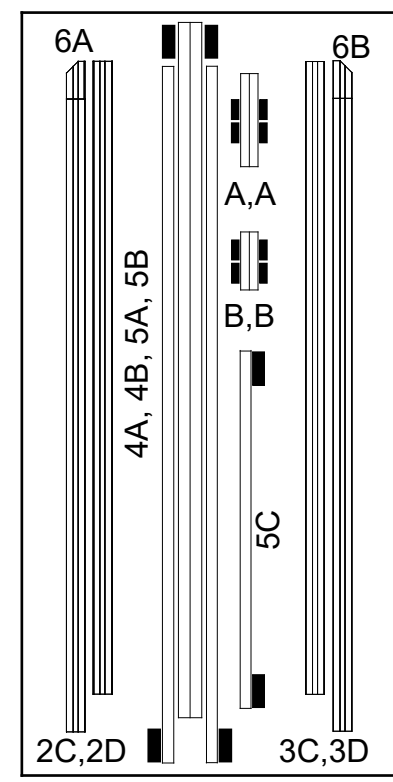
### Top View of Each Level



Level 1 (Bottom Level)



Level 2



Level 3

Lights

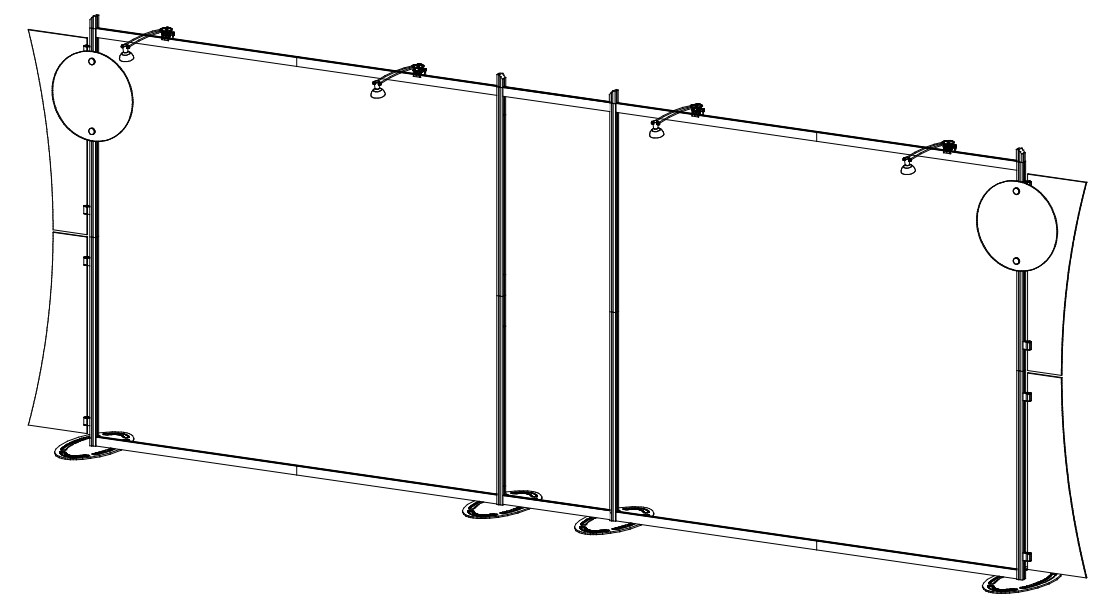
Graphics

Setup Hardware  
Base Plates



Steps:

- 1) Connect lights to top horizontal extrusions. See [Light Connection](#) detail.
- 2) Attach Wings to A10 clamps. See [Clamp Attachment](#) detail.
- 3) Attach Signs to vertical extrusions [2B] & [3B]. See [Sign Attachment](#) detail.



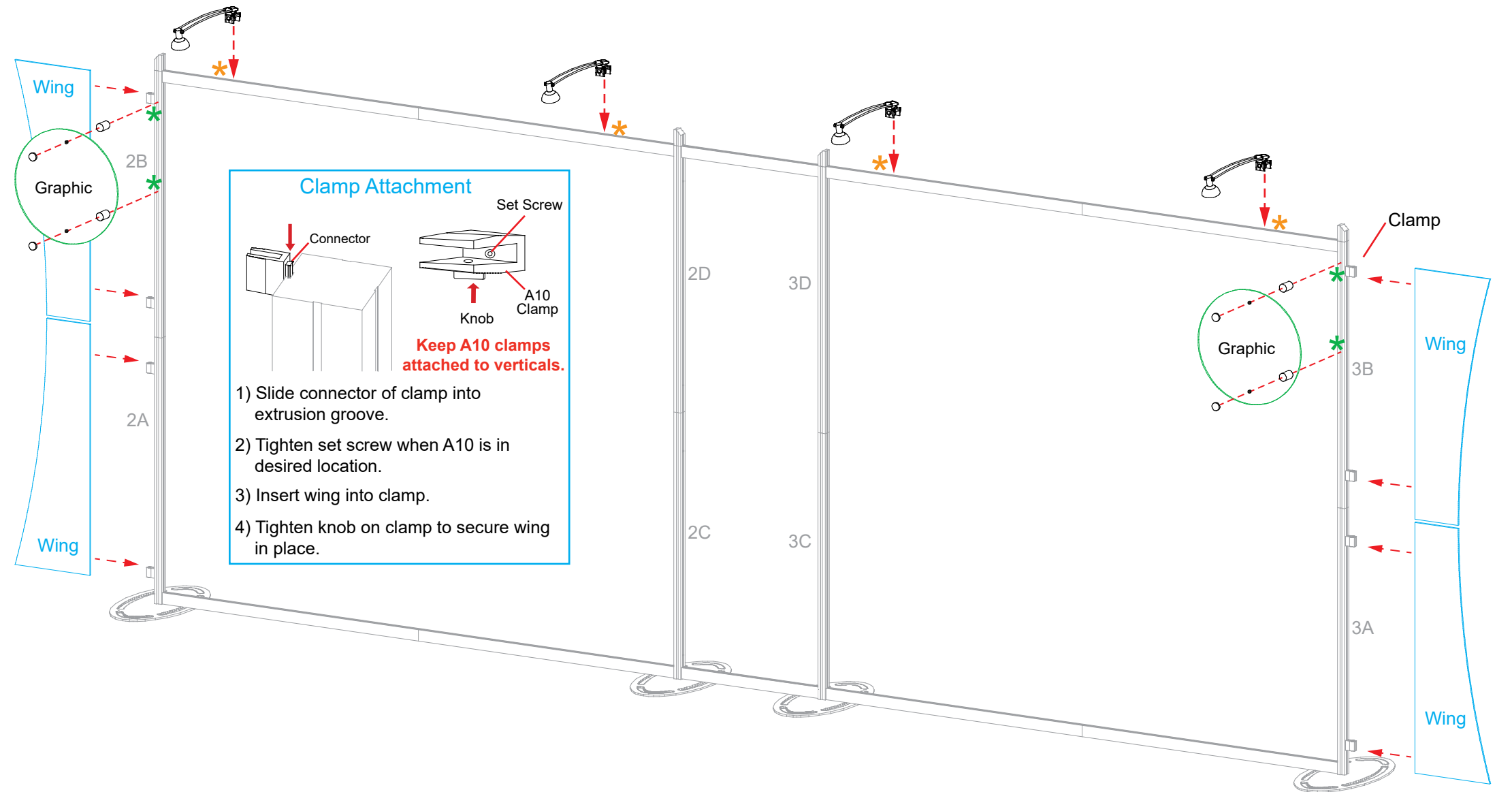
Completed Assembly

**\* Sign Attachment**

Slide connector into groove of extrusion. Tighten set screws to secure in place. Screw standoff into connector. Place sign between standoff and cap then tighten cap to secure sign.

**\* Light Connection**

Slide light onto clip then lock clip into groove of horizontal extrusion.



FRONT VIEW