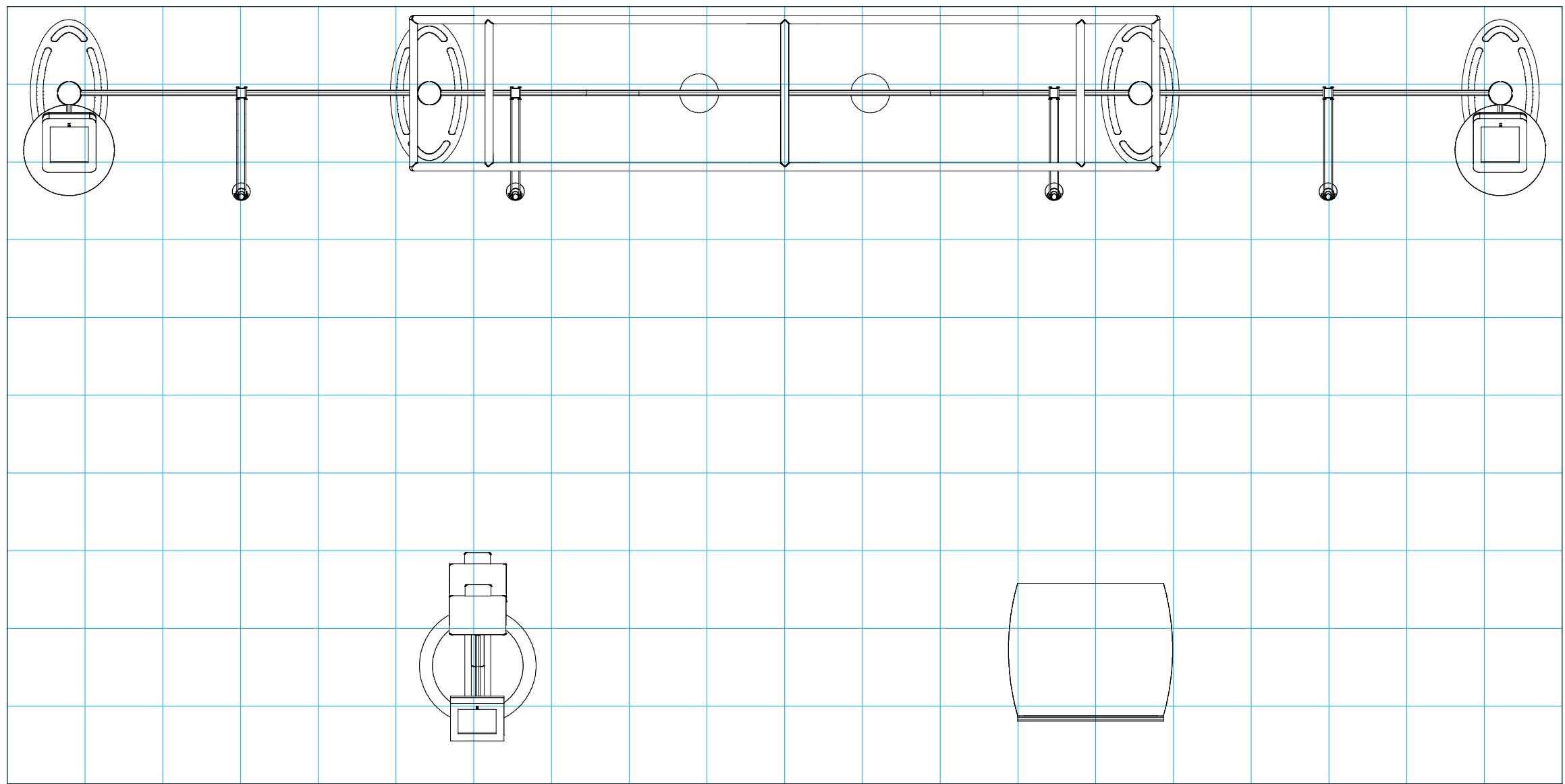



SETUP INSTRUCTIONS



 = 1 sq foot

General Setup Instructions

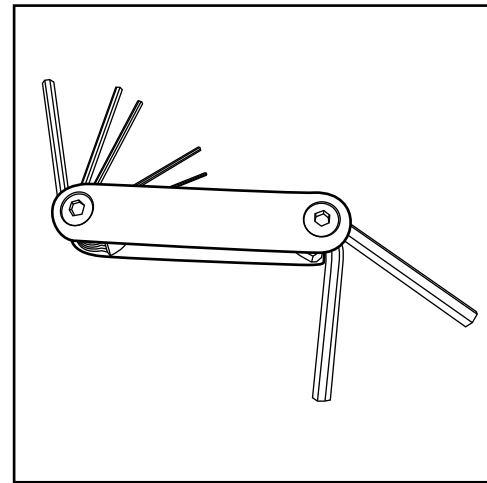
- Read entire setup instruction manual prior to unpacking parts and pieces.
- The setup instructions are created specifically for this configuration.
- Setup instructions are laid out sequentially in steps, including exploded views with detailed explanation for assembly.

Cleaning & Packing

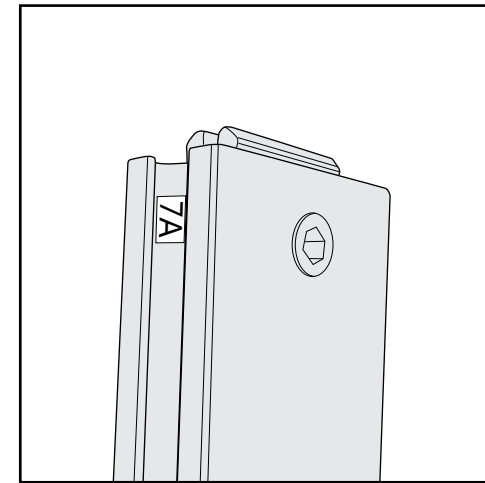
- For Cleaning Metal, Plex, & Laminate Parts: Use a **MILD NON-ABRASIVE** cleanser and soft cloth/paper towel to clean all surfaces.
- Keep exhibit components away from heat and prolonged sun exposure. **Heat and UV exposure will warp and fade components.**
- Retain all provided Packing Materials. All provided packing materials are for ease of repacking & component protection.

Disassembly

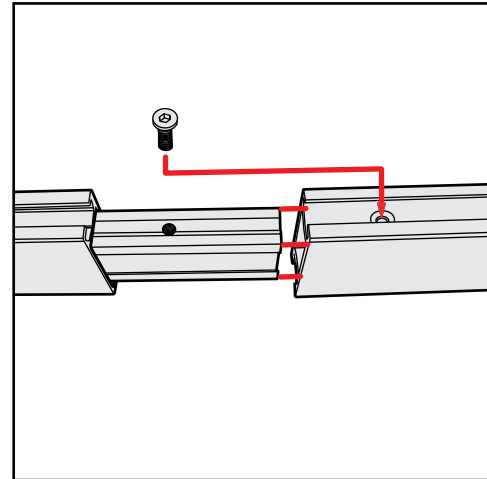
- For loss prevention, tighten all set screws and locks during disassembly.



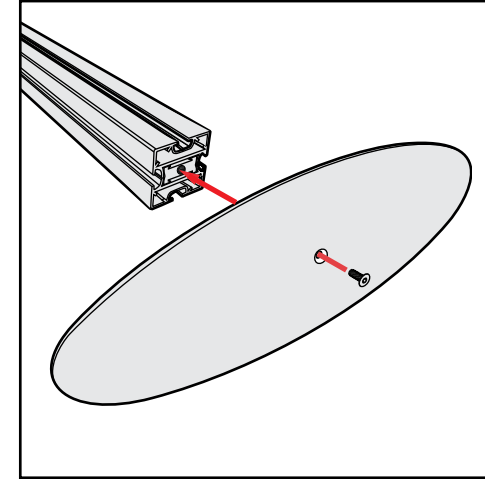
Hex Tool - Essential for Assembly



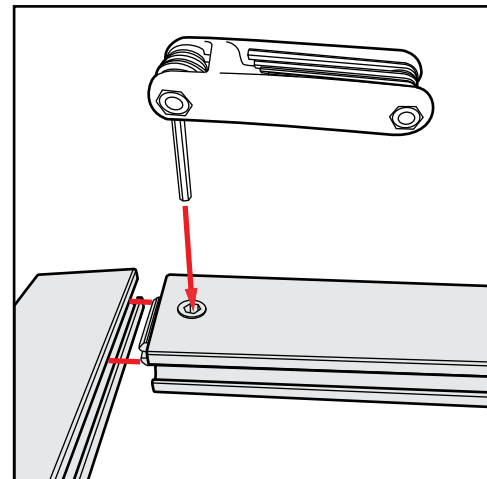
Part Identification - Numbering



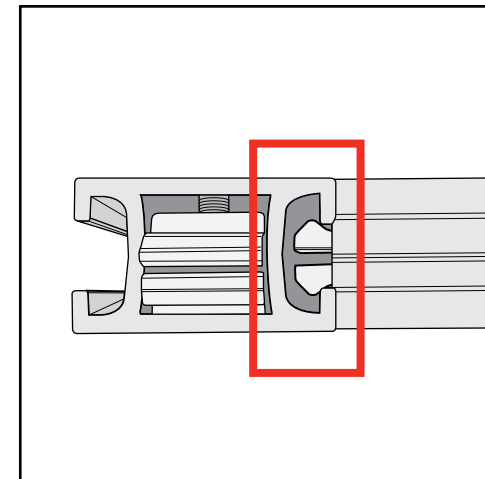
Spline Connection



Base Plate & Extrusion Connection



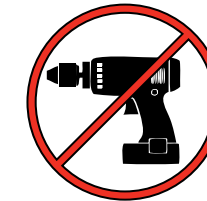
Extrusion & Lock Connection



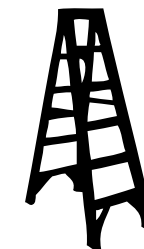
Engaged Lock



WARNING



DO NOT USE POWER TOOLS

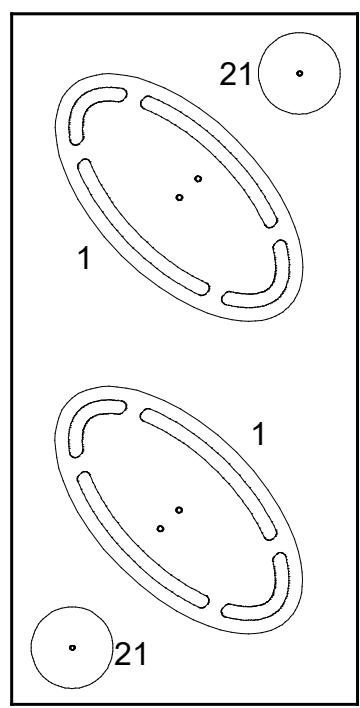


LADDERS OR LIFTS
MAY BE REQUIRED

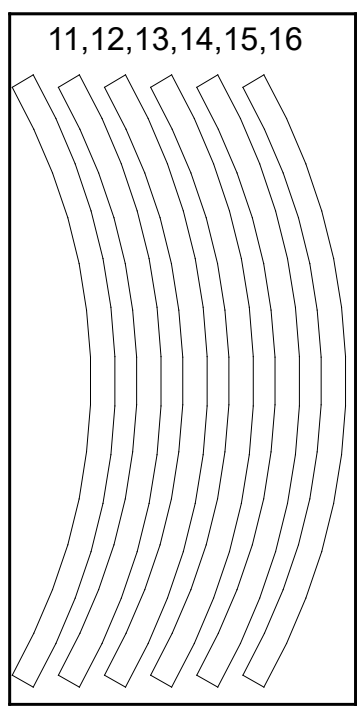


ALL CONNECTIONS MUST
BE TIGHTLY SECURED

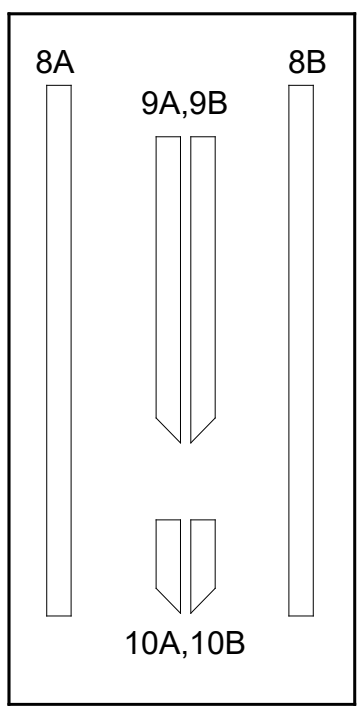
Top View of Each Level



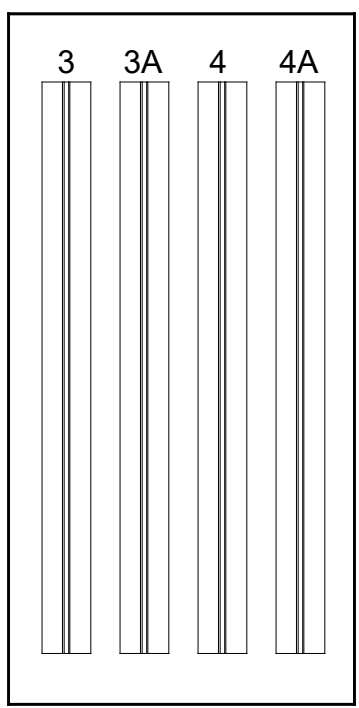
Level 1
(Bottom level)



Level 2



Level 3

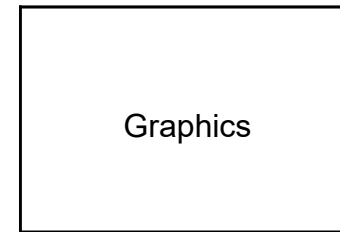
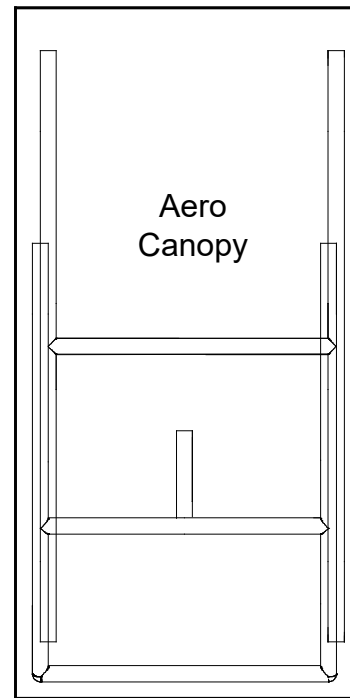


Level 4

Lights

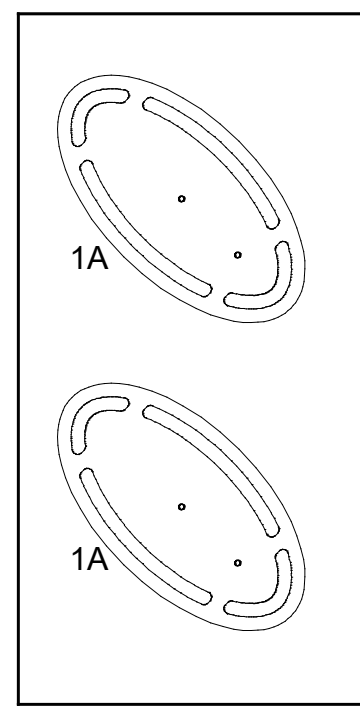
Setup Hardware

Top View of Each Level

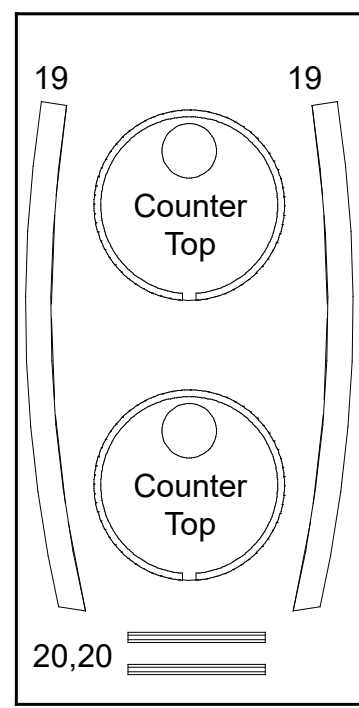


Level 1
(Bottom level)

Top View of Each Level



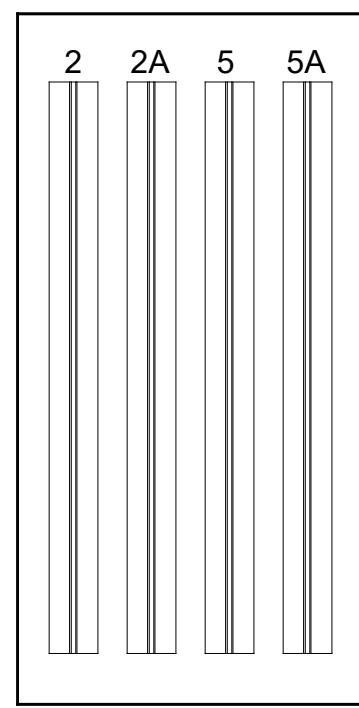
Level 1
(Bottom level)



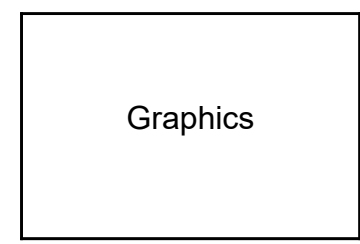
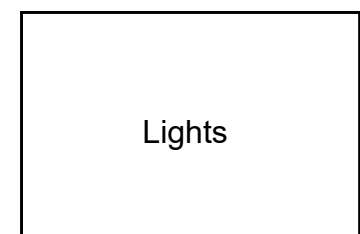
Level 2



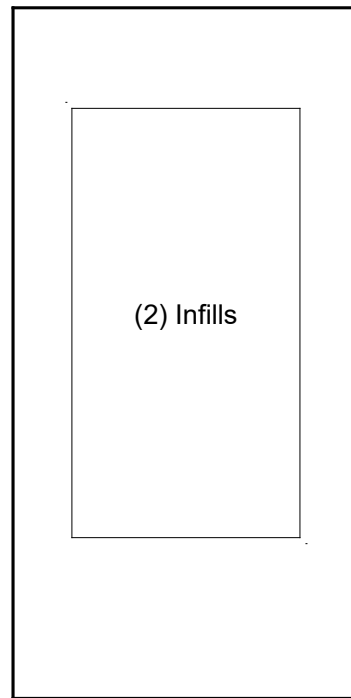
Level 3



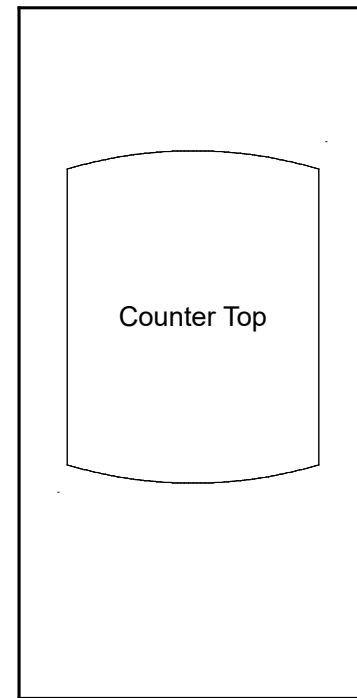
Level 4



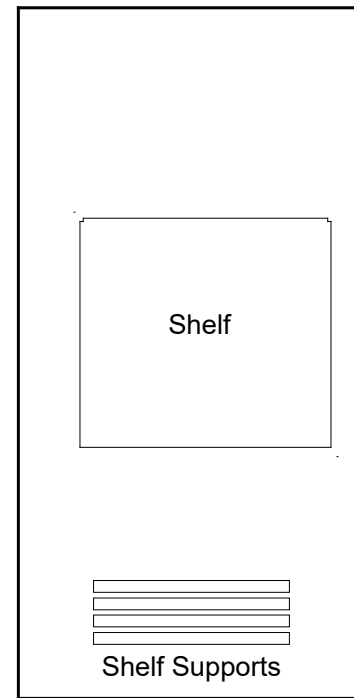
Top View of Each Level



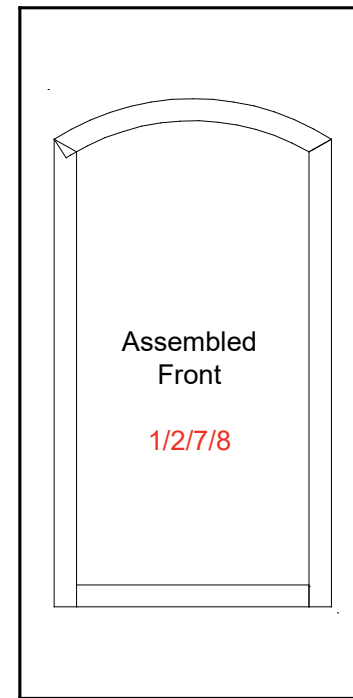
Level 1
(Bottom level)



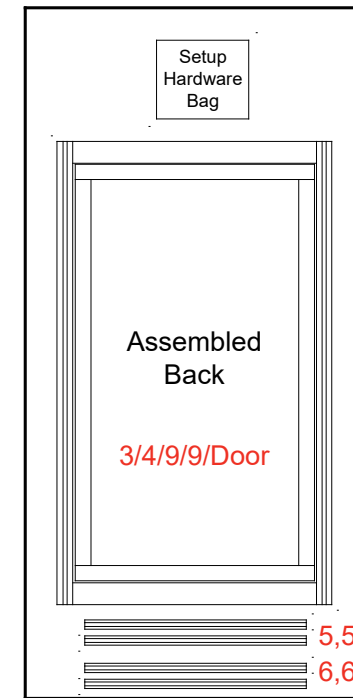
Level 2



Level 3

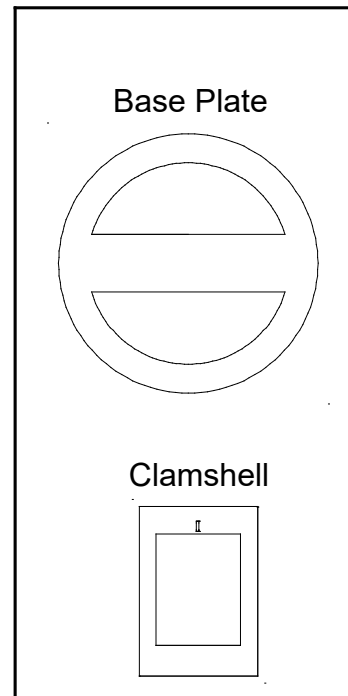


Level 4

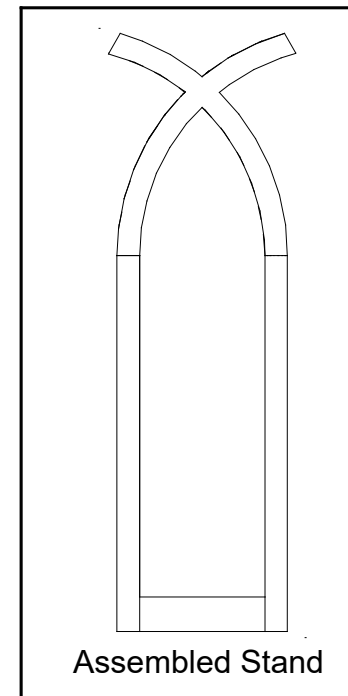


Level 5

Top View of Each Level



Level 1
(Bottom level)

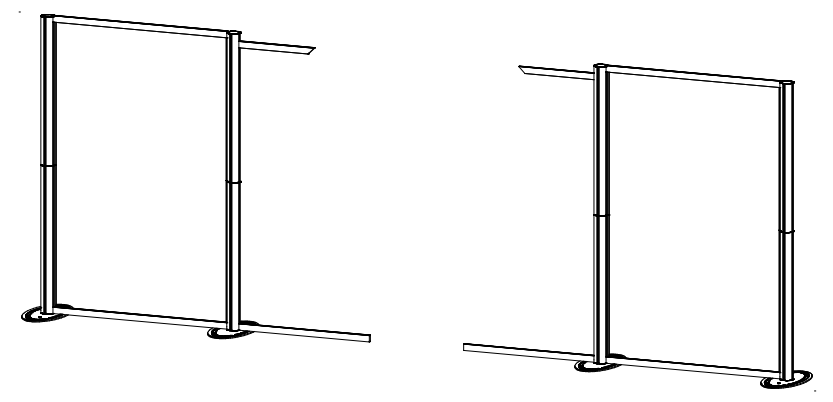


Level 2

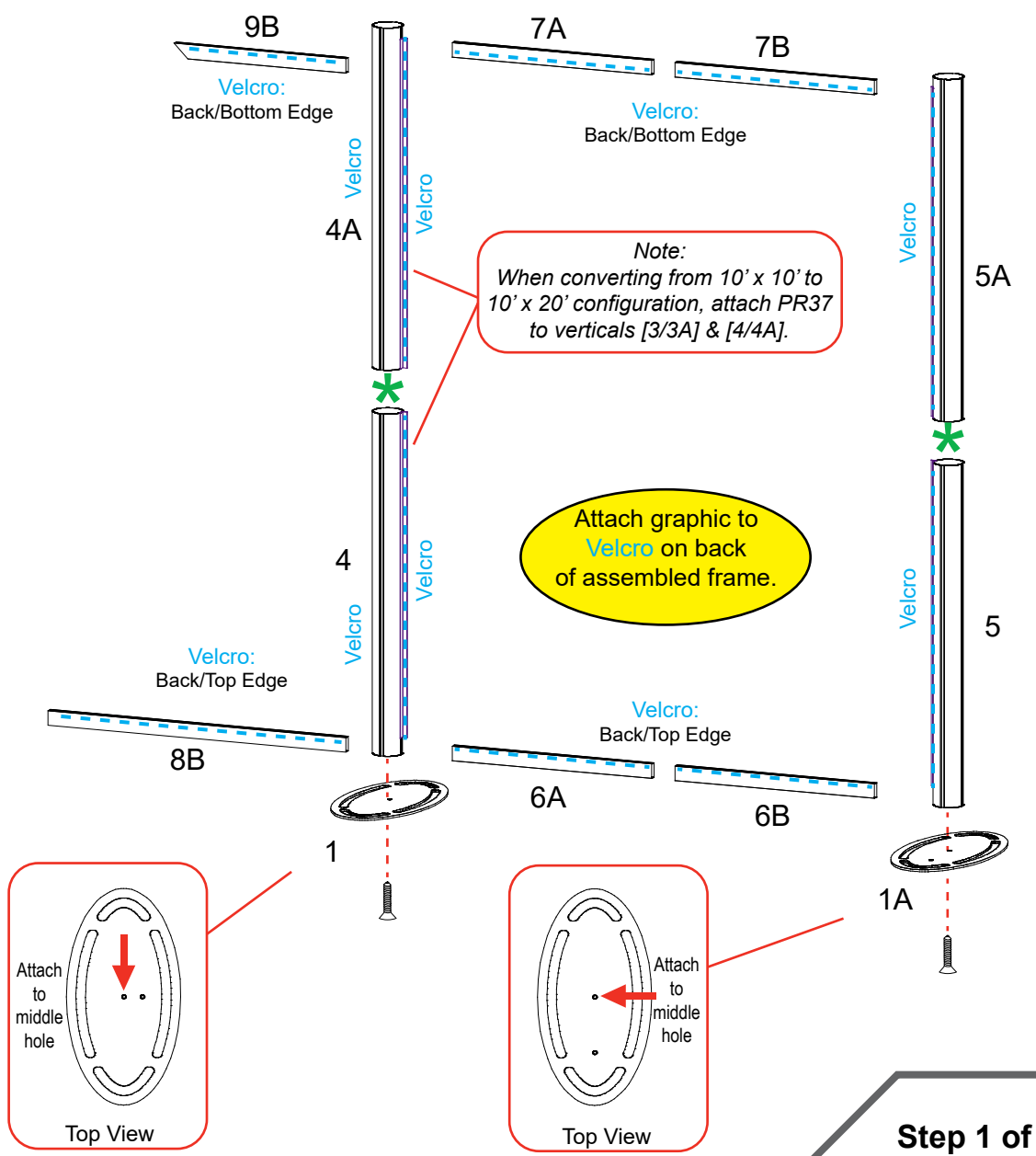
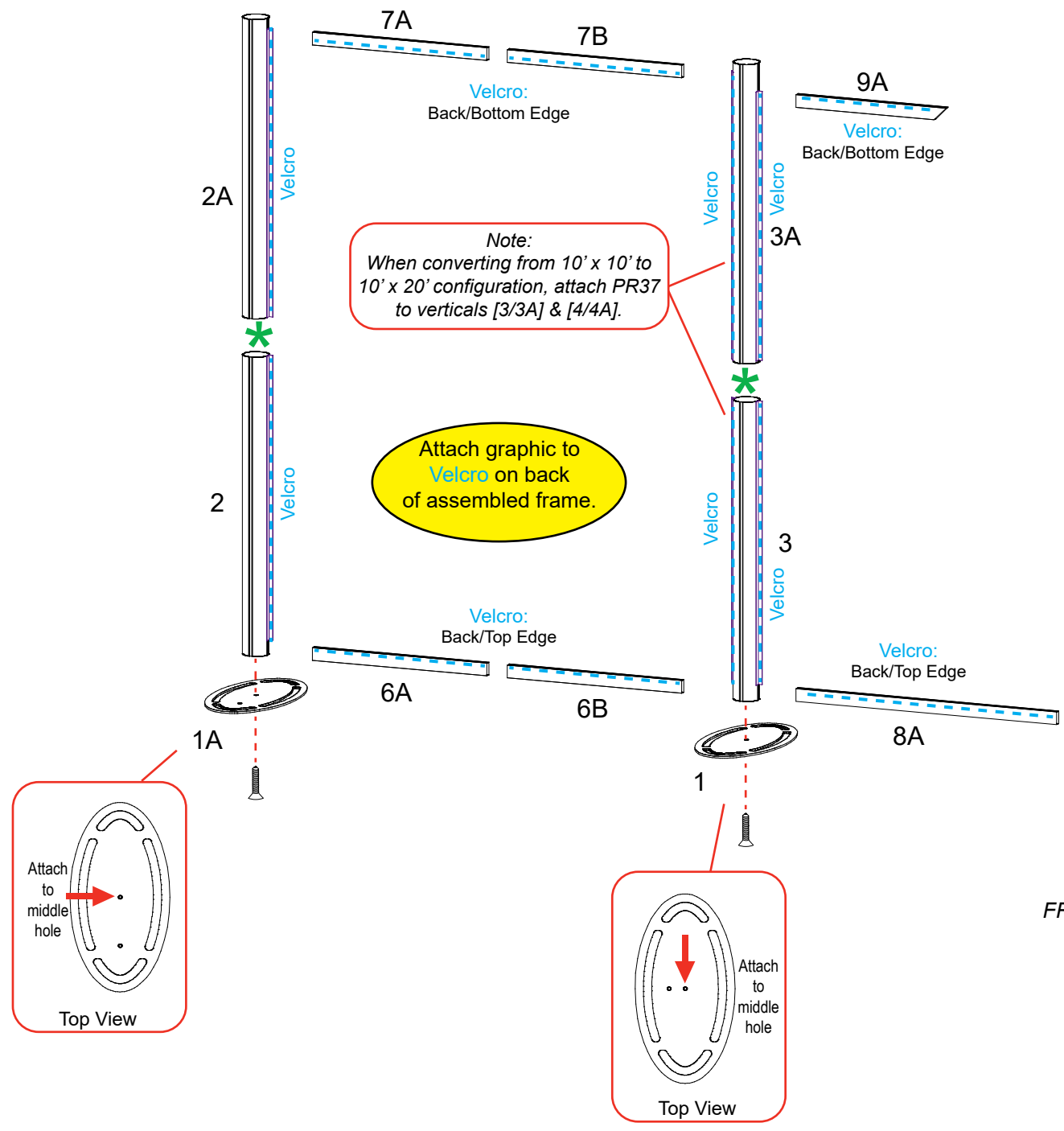
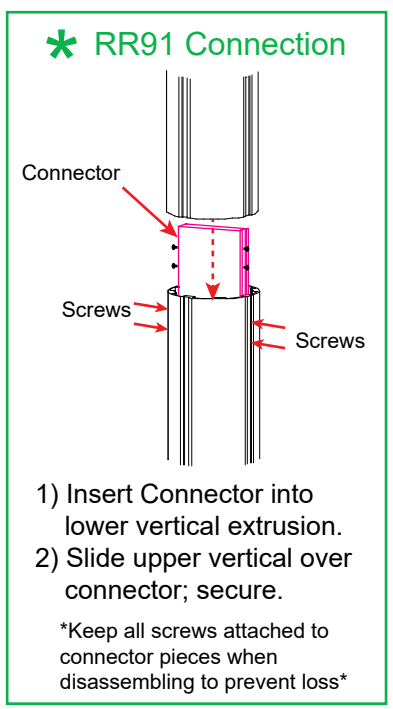
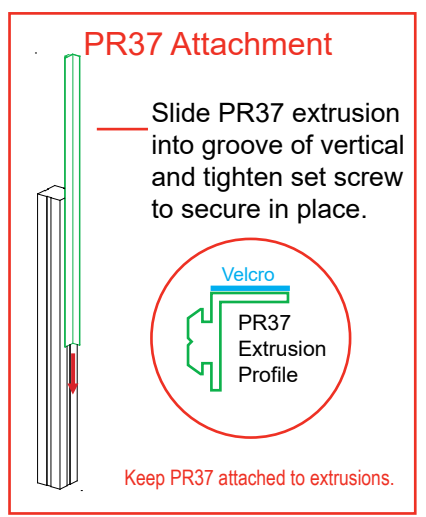
*Retain all packing materials.
DO NOT DISCARD.*

Item	Qty.	Description
1	2	12" x 22.75" oval Base Plate w/ 2 holes
1A	2	12" x 22.75" oval Base Plate w/ 2 holes
2,2A	1,1	42"h RR91 Vertical Extrusion w/ PR37 & Velcro
3,3A	1,1	42"h RR91 Vertical Extrusion w/ PR37 & Velcro
4,4A	1,1	42"h RR91 Vertical Extrusion w/ PR37 & Velcro
5,5A	1,1	42"h RR91 Vertical Extrusion w/ PR37 & Velcro
6A,6B	2,2	26"w Z45 Horizontal Extrusion w/ Velcro
7A,7B	2,2	26"w Z45 Horizontal Extrusion w/ Velcro
8A,8B	1,1	39"w Z45 Horizontal Extrusion w/ Velcro
9A,9B	1,1	22.5"w Z45 Horizontal Extrusion w/ Velcro
--	4	40.208"h PR37 Vertical Extrusion w/ Velcro

- Steps:
- 1) Attach Base Plates [1,1A] to verticals [2,3,4,5] using bolts.
 - 2) Assemble verticals [2-2A], [3-3A], [4-4A], [5-5A]. See **RR91 Connection** detail.
 - 3) Attach PR37 to verticals [3/3A], [4/4A] as shown. See **PR37 Attachment** detail.
 - 4) Assemble horizontals [6A-6B], [7A-7B] between verticals as shown.
 - 5) Connect horizontals [8A,9A] to vertical [3/3A]; attach horizontals [8B,9B] to verticals [4/4A].
 - 6) Apply Fabric Graphics to **Velcro** on back side of left & right frame assemblies.



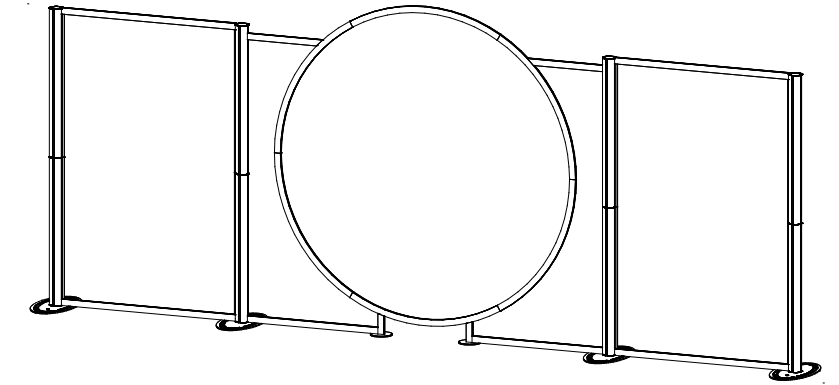
When assembled



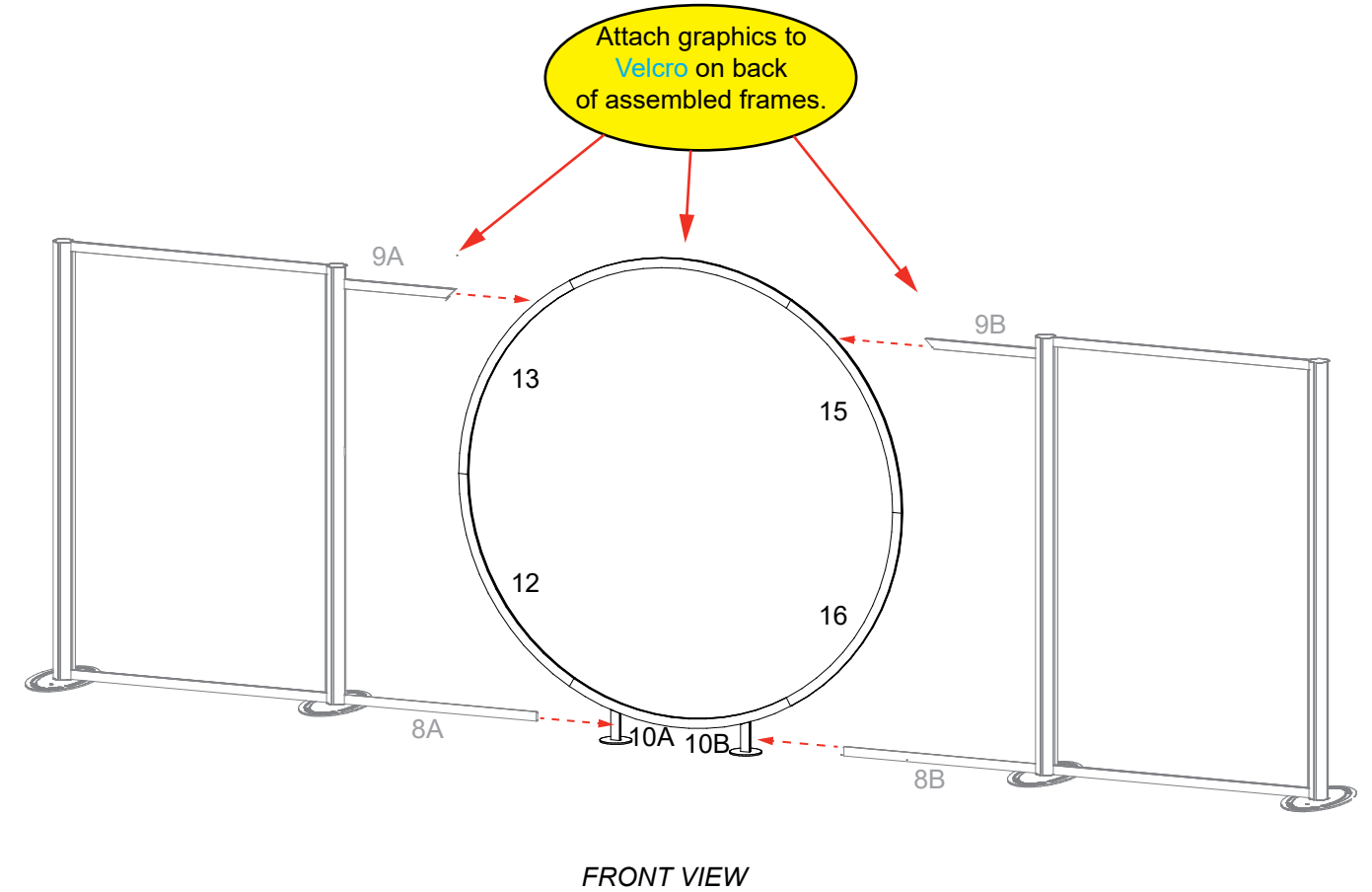
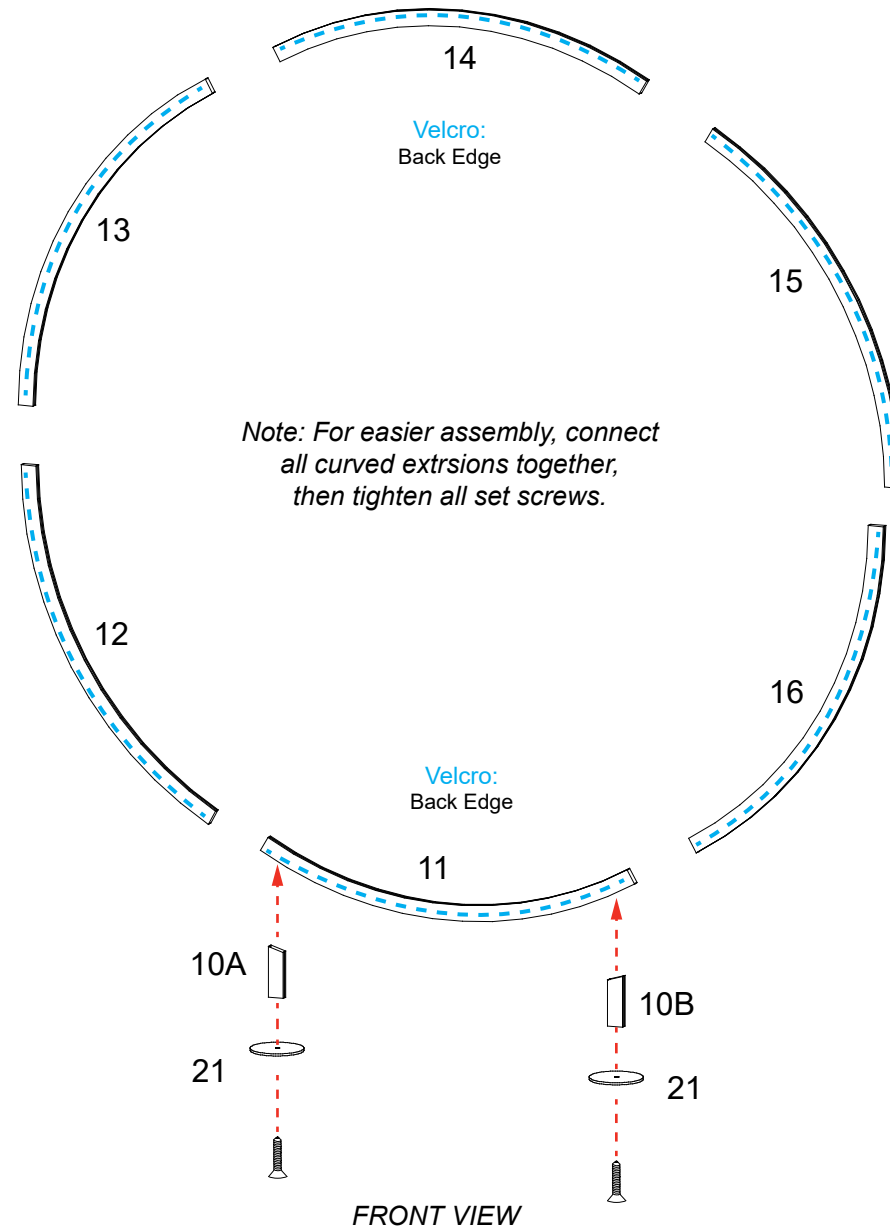
Item	Qty.	Description
10A,10B	1,1	5.764"h Z45 Vertical Extrusion
11	1	47.124" Z45 curved Extrusion w/ Velcro
12	1	47.124" Z45 curved Extrusion w/ Velcro
13	1	47.124" Z45 curved Extrusion w/ Velcro
14	1	47.124" Z45 curved Extrusion w/ Velcro
15	1	47.124" Z45 curved Extrusion w/ Velcro
16	1	47.124" Z45 curved Extrusion w/ Velcro
21	2	6" round Base Plate

Steps:

- 1) Assemble curved extrusions [11] through [16] together as shown.
- 2) Connect base plates [21] to bottom of verticals [10A] & [10B].
- 3) Attach verticals [10A], [10B] to bottom of extrusion [11].
- 4) Connect horizontals [8A], [8B] to verticals [10A], [10B] as shown.
- 5) Attach horizontal [9A] to curved extrusion [13] and horizontal [9B] to curved extrusion [15].
- 6) Attach graphics to **Velcro** backwall frame & circle frame.



When assembled



AERO

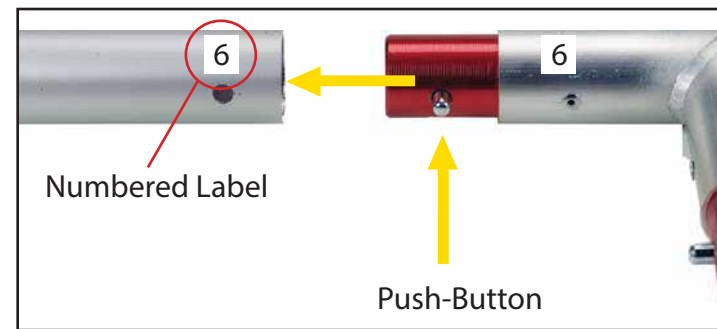
Using Your Setup Instructions

The Aero Setup Instructions are created specifically for your configuration. The instructions include an exploded view of the frame which is sequentially labeled. We encourage you to review the instructions before attempting to assemble your exhibit.

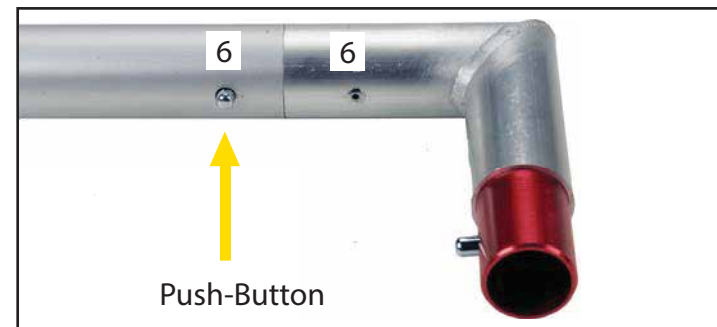
Connections are kept very simple; no tools required. Everything assembles with push-button connectors.

Cleaning and Packing Your Display

- 1) Use care when cleaning aluminum extrusion or acrylic inserts. Use only non-abrasive cleaners.
- 2) Retain all packing material. It will make re-packing much easier and will reduce the likelihood of shipping damage.

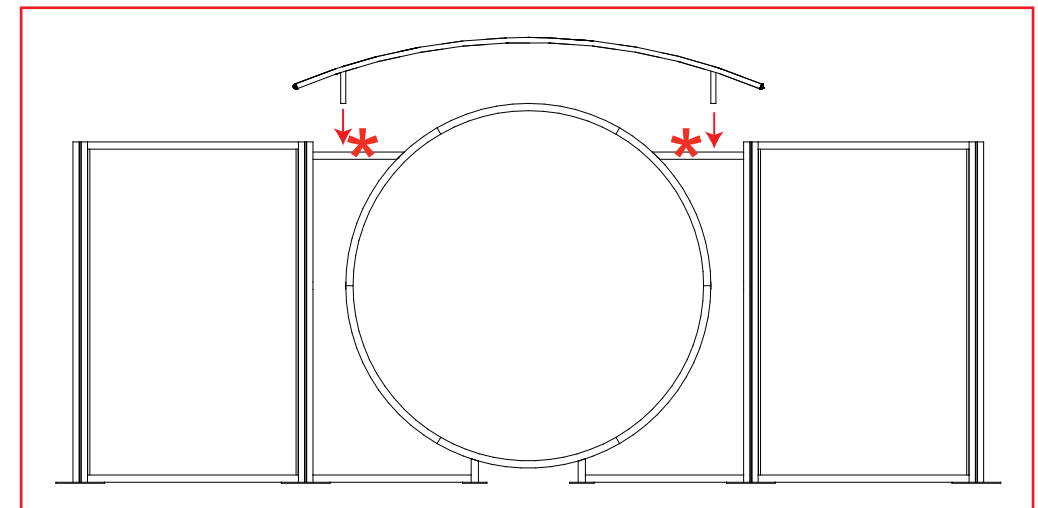
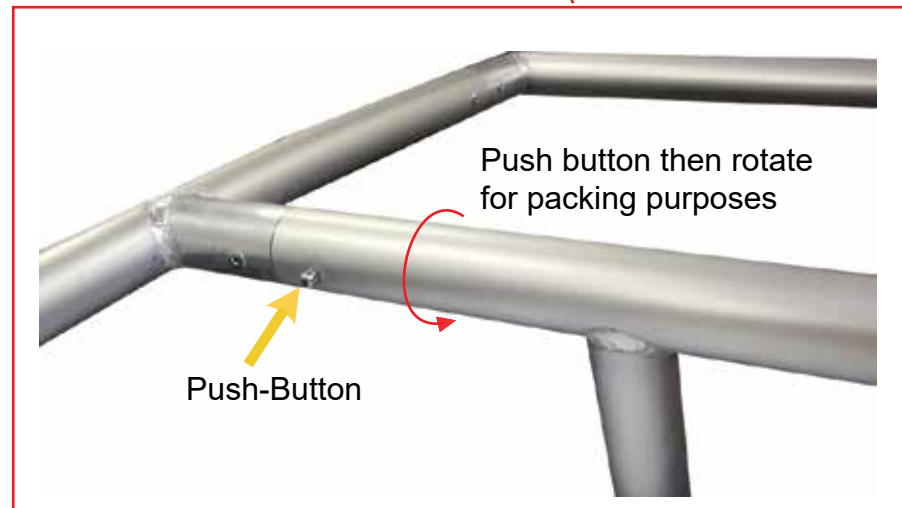
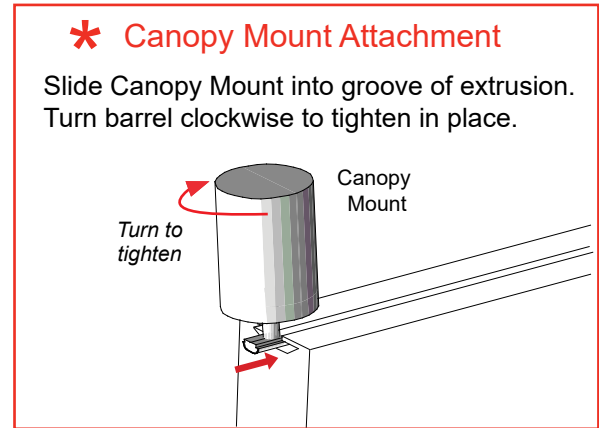
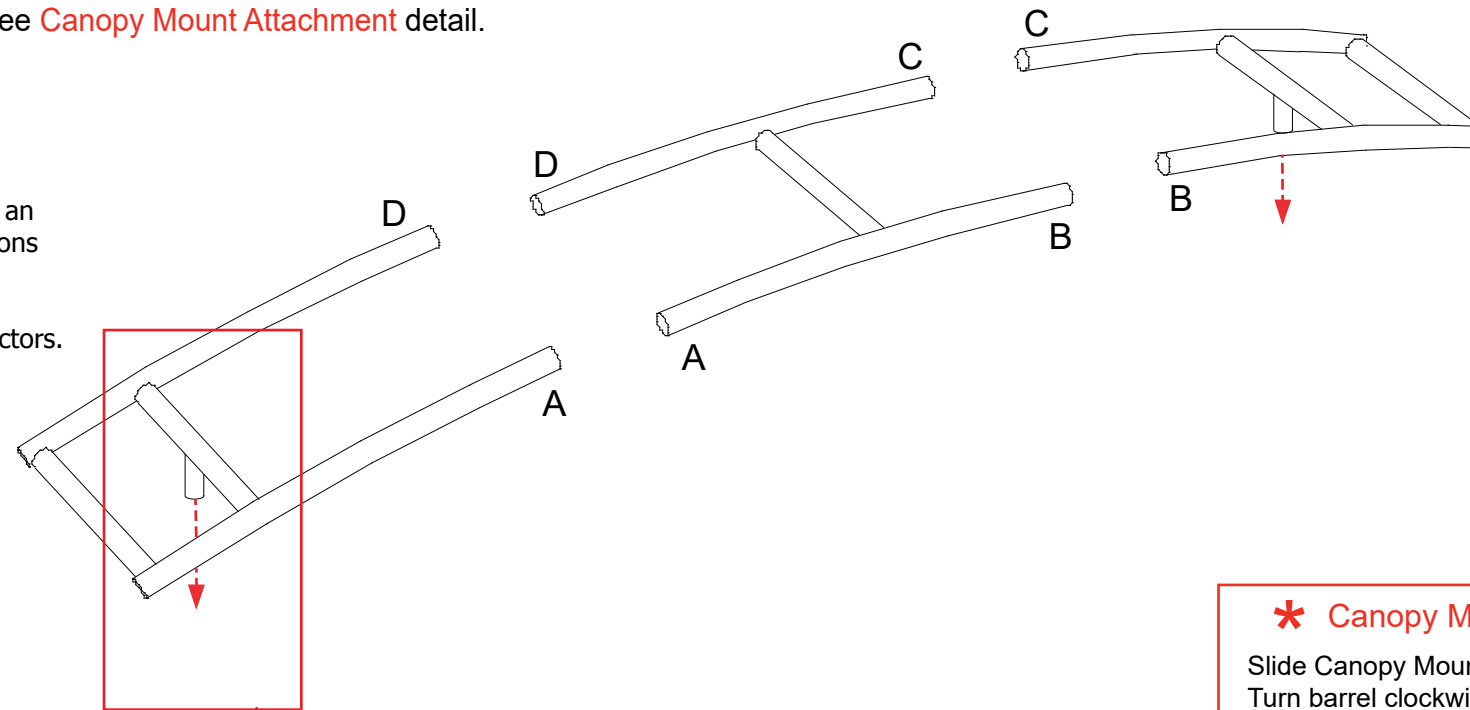


Connections are made by holding the button down and sliding the red tube into opposing tube until button locks into the hole of the opposing tube. To disassemble, push button and pull or twist extrusions apart.



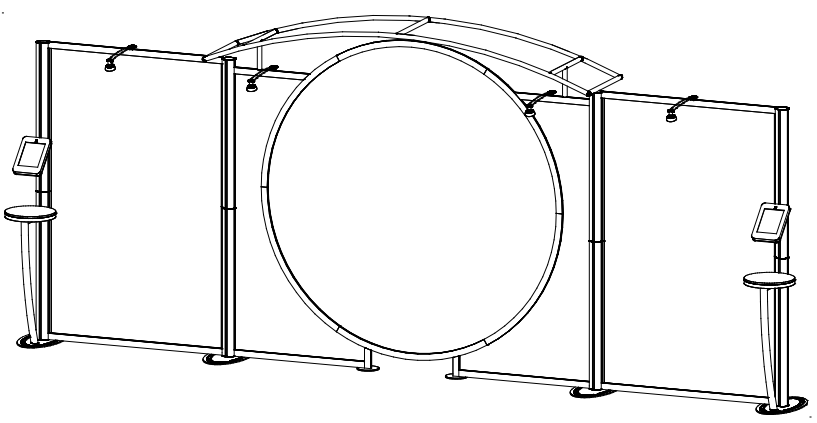
Steps:

- 1) Connect canopy pieces together as shown.
- 2) Apply pillow case graphic to assembled canopy.
- 3) Attach canopy to top of backwall using Canopy Mount. See [Canopy Mount Attachment](#) detail.



Item	Qty.	Description
19	2	38.071" RSG510 curved Vertical Extrusion
20	2	10.009"w Z41 Horizontal Extrusion
--	4	LED Perf Lights

- Steps:
- 1) Attach verticals [19] to base plates [1A].
 - 2) Connect horizontals [20] between verticals [19] & [2], and verticals [19] & [5].
 - 3) Attach Counter Tops to verticals [19]. See **Counter Top Attachment** detail.
 - 4) Connect perf lights to top of backwall. See **Light Attachment** detail.
 - 5) Attach iPad Mounts to verticals as shown. See **iPad Mount Attachment** detail.



Completed Assembly

*** Counter Top Attachment**

Insert screws located on underside of counter into holes on flange plate and secure with wing nuts.

Wing Nut

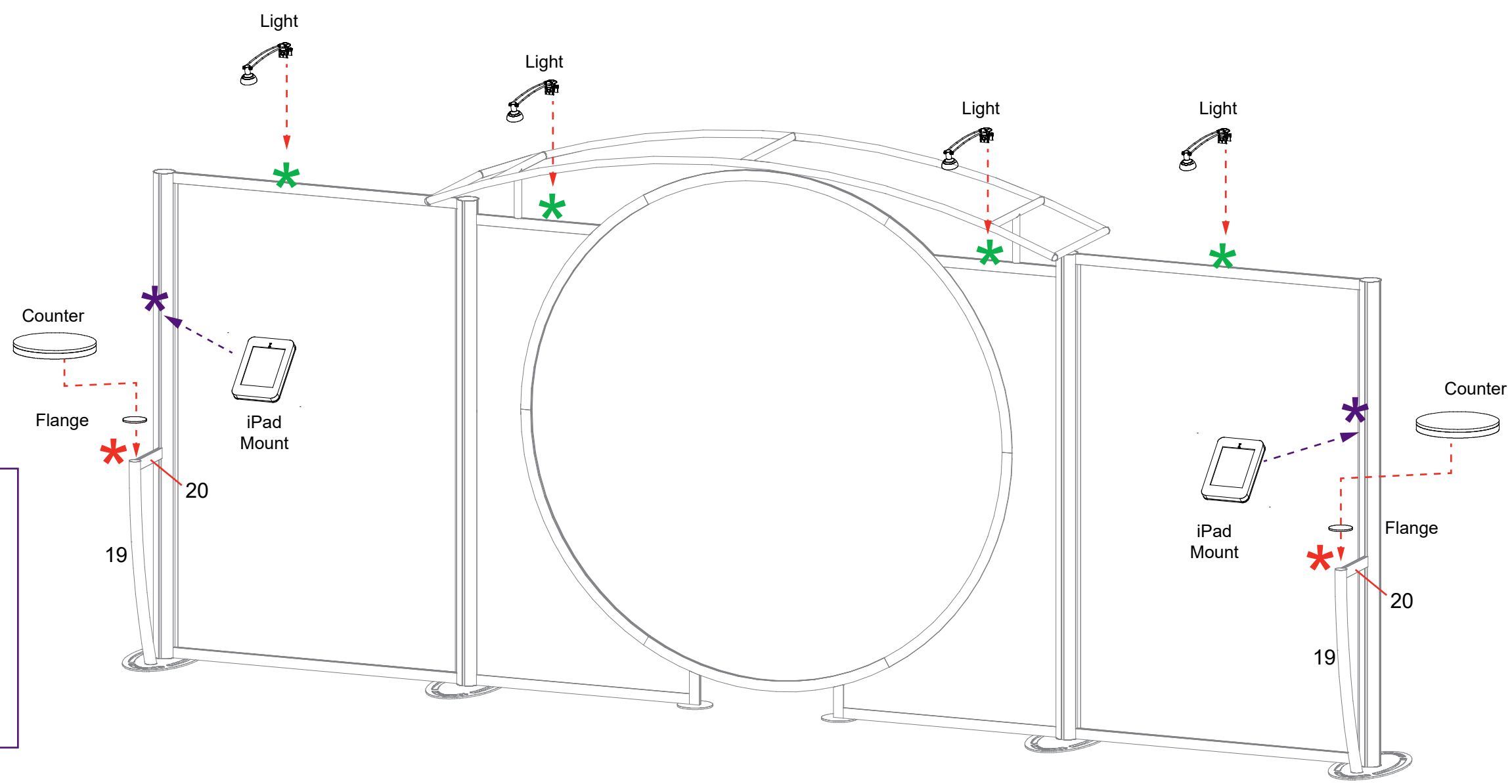
*** Light Attachment**

Attach lights to Horizontal where desired and tighten in place.

*** iPad Mount Attachment**

Tighten Lock to Secure

Attach connector piece to iPad holder. Then connect assembled iPad holder with connector to vertical extrusion.



FRONT VIEW

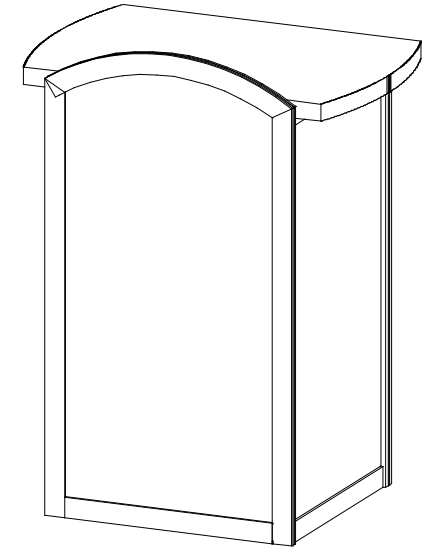
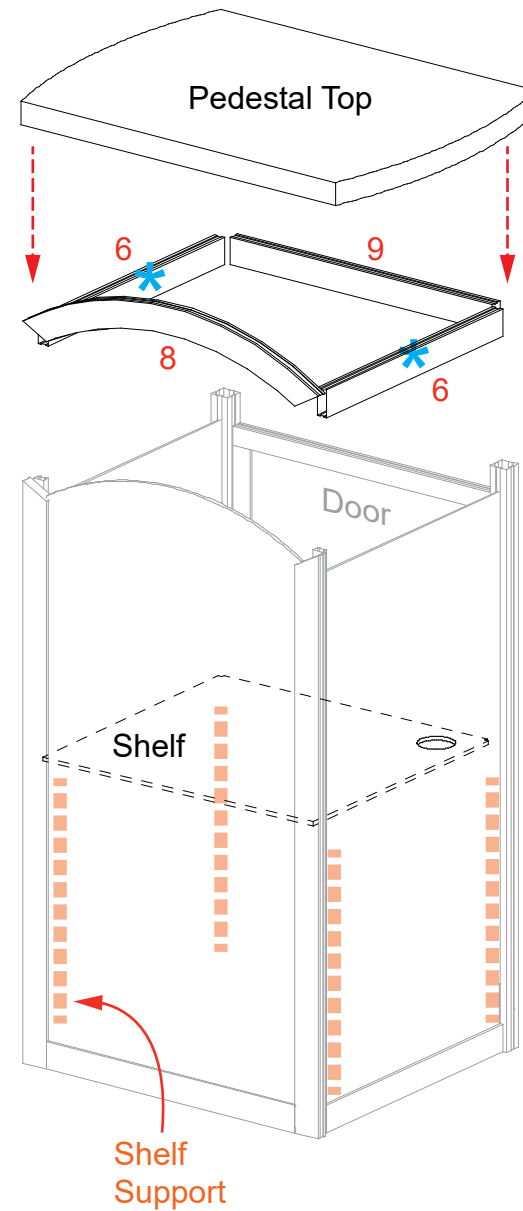
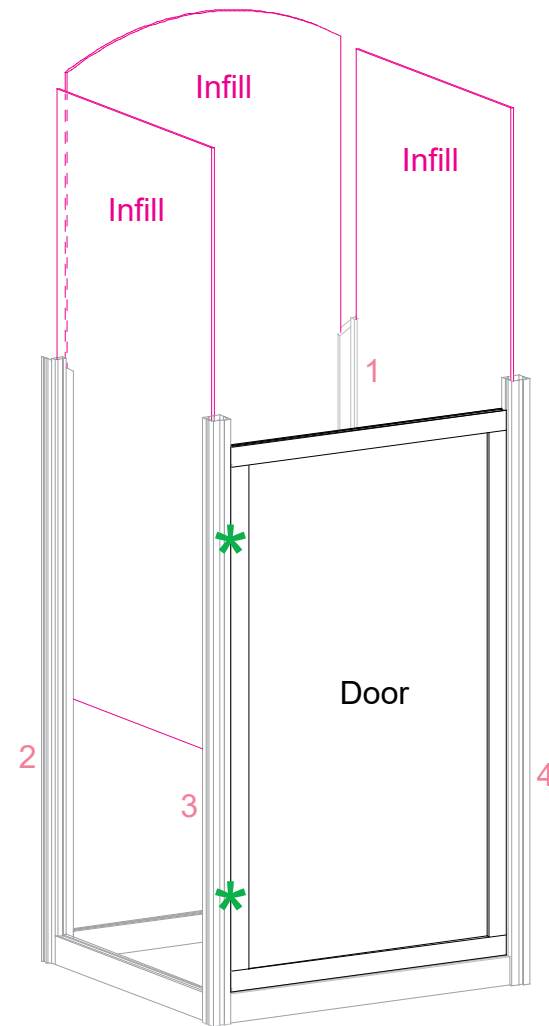
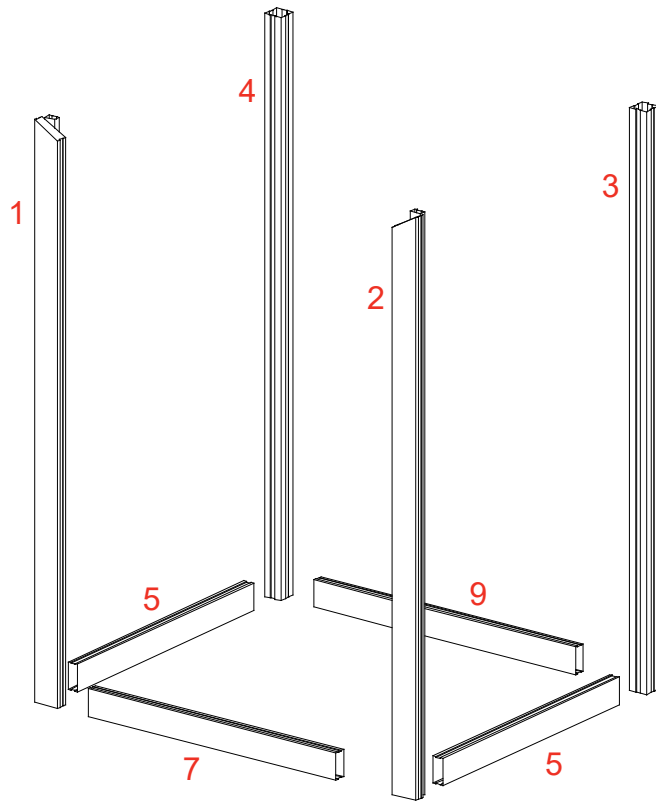
Item	Qty.	Description
1	1	38" Z45 Vertical Extrusion w/ S10
2	1	38" Z45 Vertical Extrusion w/ S10
3	1	38" S40 Vertical Extrusion w/ Door Stop
4	1	38" S40 Vertical Extrusion w/ Door Hinges
5	2	18" Z45 Horizontal Extrusion
6	2	18" Z45 Horizontal Extrusion
7	1	18.917" Z45 Horizontal Extrusion
8	1	20" Z45 Horizontal Extrusion
9	1	22.5" Z45 Curved Extrusion
10	1	18" Z45 Horizontal Extrusion
11	1	18" Z45 Horizontal Extrusion
12	1	20" Z45 Horizontal Extrusion

Steps:

- 1) Attach lower horizontals [5,7,9] between verticals [1,2,3,4].
- 2) Connect door between verticals [3,4]. See **Door Connection** detail.
- 3) Insert infills between verticals [1,2], [1,3], and [1,4].
- 4) Attach upper horizontals [6,8,9] between verticals [1,2,3,4].
- 5) Connect shelf supports to Velcro on infills, then place shelf on top of supports.
- 6) Lock pedestal top to horizontals [6]. See **Pedestal Top Lock** detail.

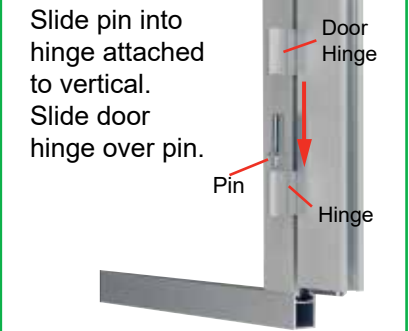
Keep door assembled when packing.

Keep extrusions [1/2/7/8] assembled when packing.

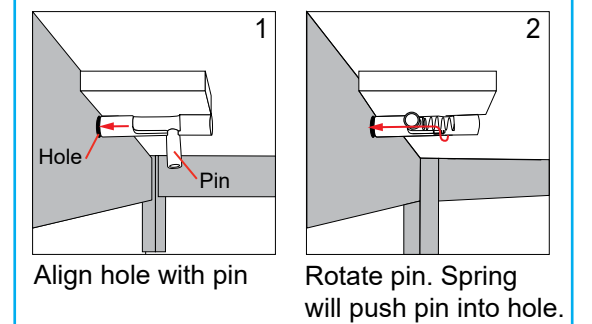


Completed Assembly

*** Door Connection**



*** Pedestal Top Lock**



Item	Qty.	Description
1	1	Base Plate
2	1	10" Z72 Horizontal Extrusion
3	1	Mount Plate

- Steps:
- 1) Slide **Infill** into stand verticals as shown.
 - 2) Attach horizontal [2] between stand verticals.
 - 3) Attach base plate [1] to stand verticals, using bolts.
 - 4) Attach mount plate [3] to stand, using bolt
 - NOTE: Mount Plate must rotate to left and right before installing Clamshell.**
 - 5) Attach clamshell to mount plate [3], using hex nuts.
 - 6) Insert iPad into clamshell then route cords. See **Cord Management for iPad** detail.
 - 7) Attach literature holders to stand. See **Literature Holder Attachment** detail.

